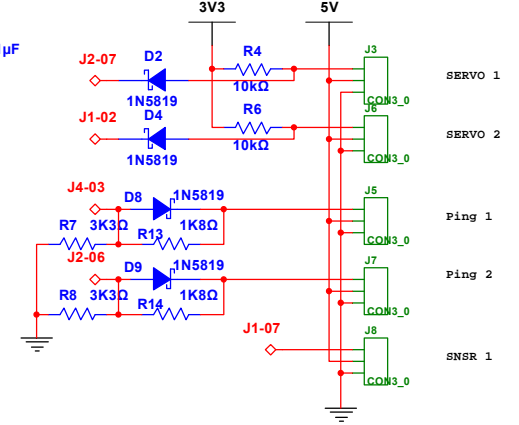
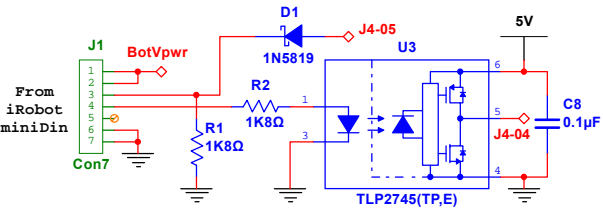


Each unit needs two headers
DK part #A121490-ND

Each unit needs two headers
DK part #A121490-ND



Title: iRobot Baseboard Launchpad		
Size: B	Document N:	Revision:
Date: 8/27/2018	Sheet 1 of 1	

Part # on BOM
is for socket
NOT the PmodBT