

EE 330

Lecture 36

Cascaded Amplifiers

Amplifier Biasing

Other Amplifier Structures

Frequency-Dependent Performance of Amplifiers

Parasitic Capacitances in MOS Devices

Exam Schedule

Exam 1	Friday Sept 24
Exam 2	Friday Oct 22
Exam 3	Friday Nov 19
Final	Tues Dec 14 12:00 p.m.

Photo courtesy of the director of the National Institute of Health (NIH)

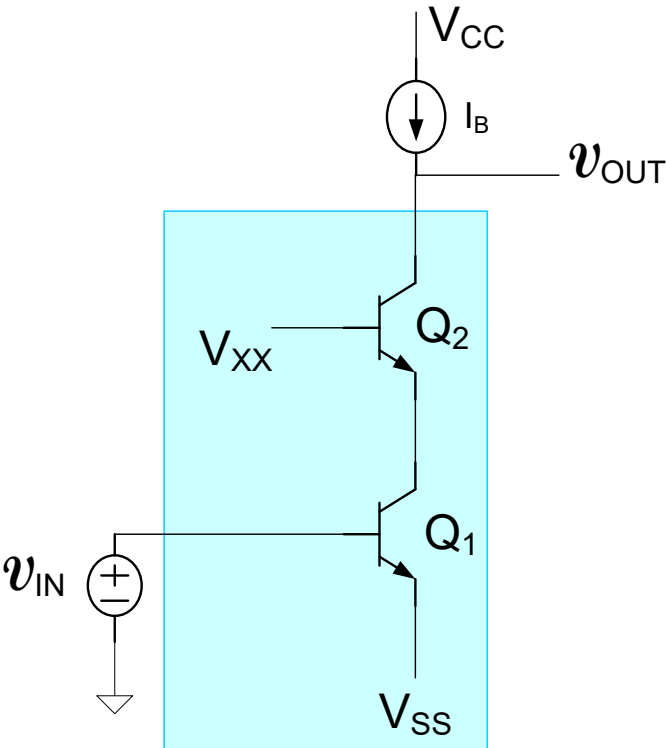


As a courtesy to fellow classmates, TAs, and the instructor

Wearing of masks during lectures and in the laboratories for this course would be appreciated irrespective of vaccination status

Cascode Configuration

Discuss



$$A_{V_{CC}} \cong - \left[\frac{g_{m1} \beta}{g_{o2}} \right] \cong - \left[\frac{g_{m1}}{g_{o1}} \right] \beta$$

$$g_{o_{CC}} \cong \frac{g_{o2}}{\beta}$$

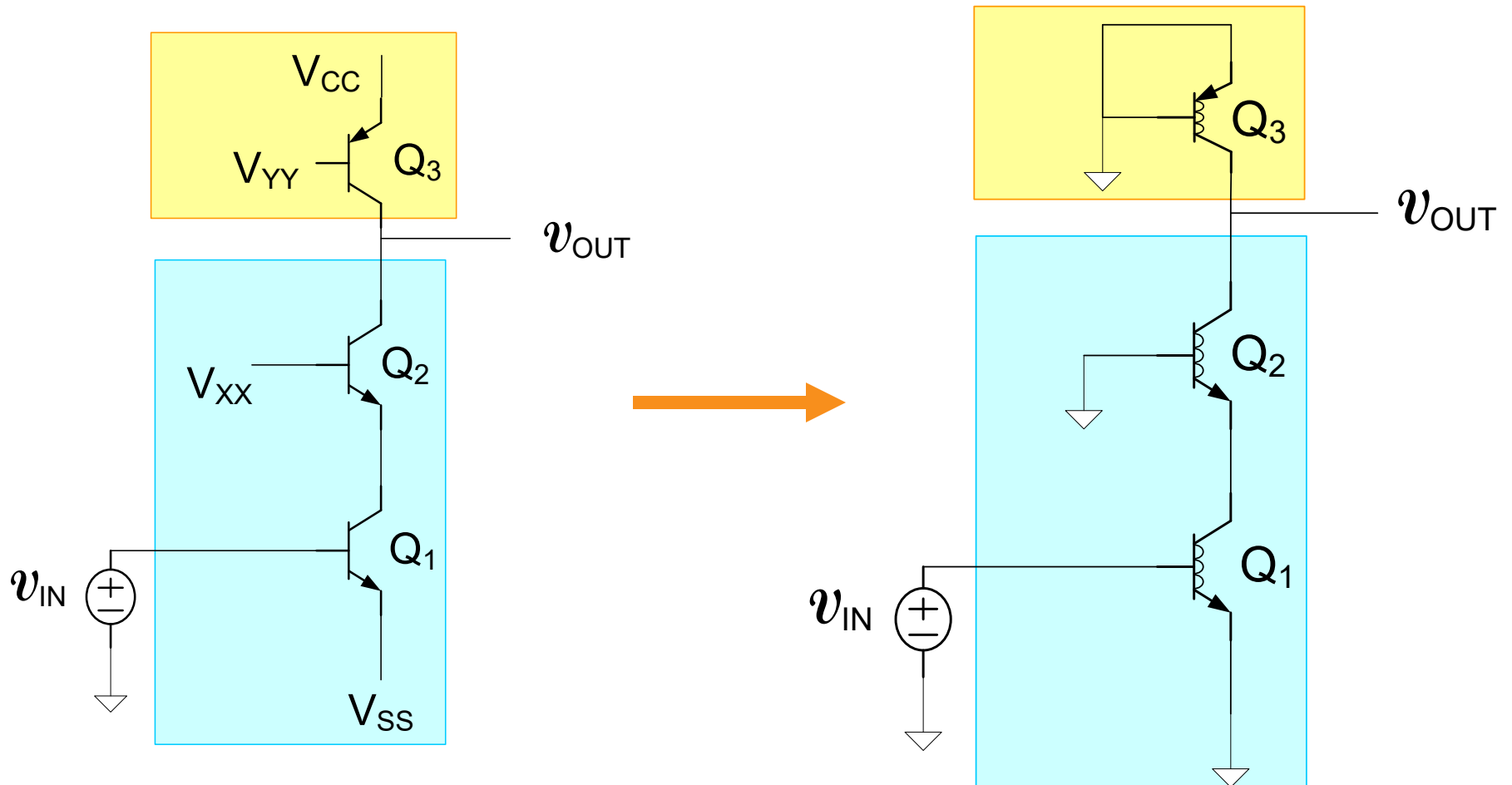
$$A_{V_{CC}} \cong - \left[\frac{g_{m1}}{g_{o1}} \right] \beta = \left[\frac{2V_{AF}}{V_t} \right] \beta = [-8000]100$$

$$A_{V_{CC}} \cong -800,000$$

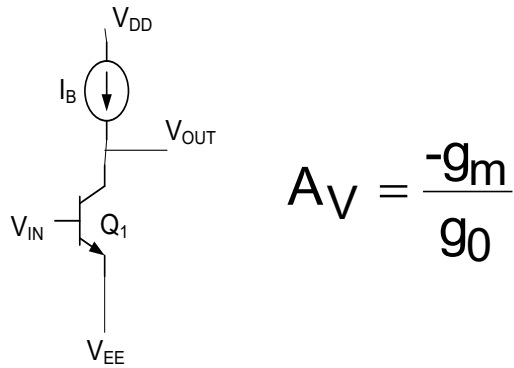
This gain is very large and only requires two transistors!

What happens to the gain if a transistor-level current source is used for I_B ?

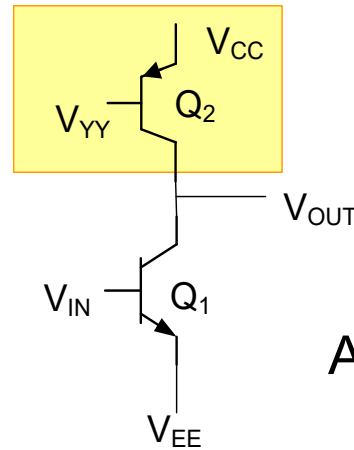
Cascode Configuration



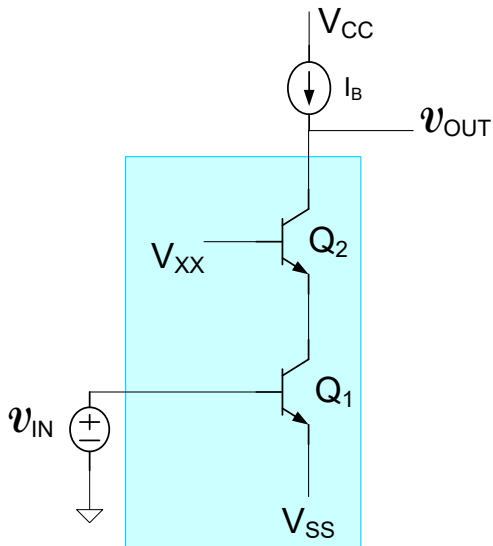
Cascode Configuration Comparisons



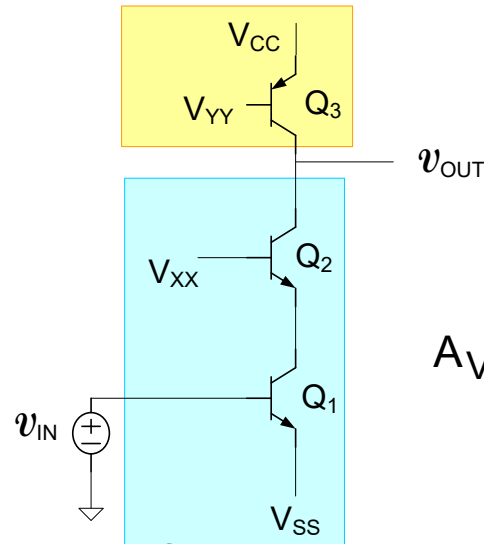
$$A_V = \frac{-g_m}{g_o}$$



$$A_V \cong \frac{-g_{m1}}{g_{o1} + g_{o2}} = \frac{-g_{m1}}{2g_{o1}}$$



$$A_V \cong - \left[\frac{g_{m1}}{g_{o1}} \right] \beta$$



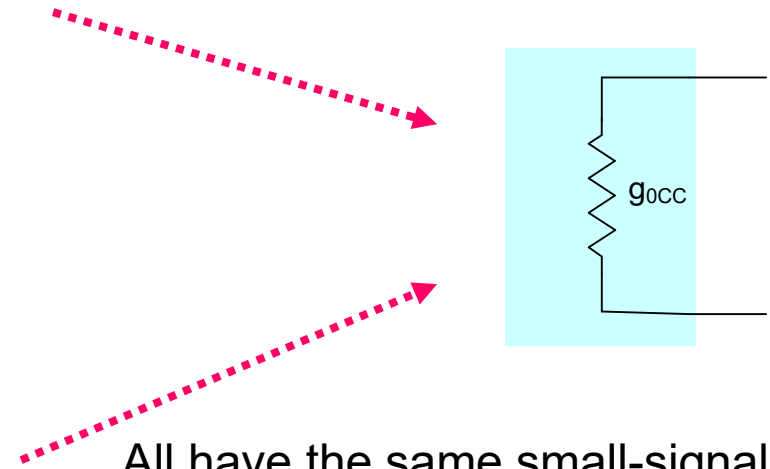
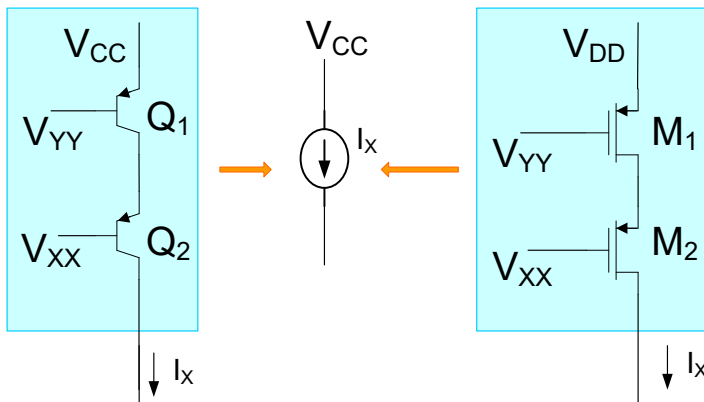
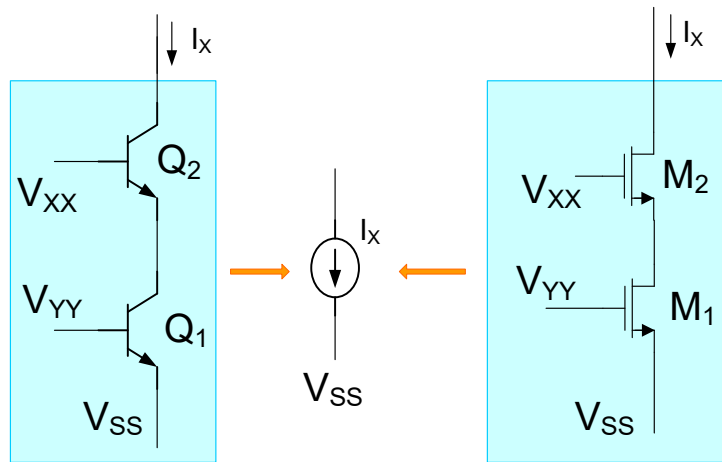
$$A_V \cong - \left[\frac{g_{m1}}{\frac{g_{o1}}{\beta} + g_{o3}} \right] \cong - \left[\frac{g_{m1}}{g_{o3}} \right]$$

Gain limited by output impedance of current source !!

Can we design a better current source?

In particular, one with a higher output impedance?

Cascode current sources

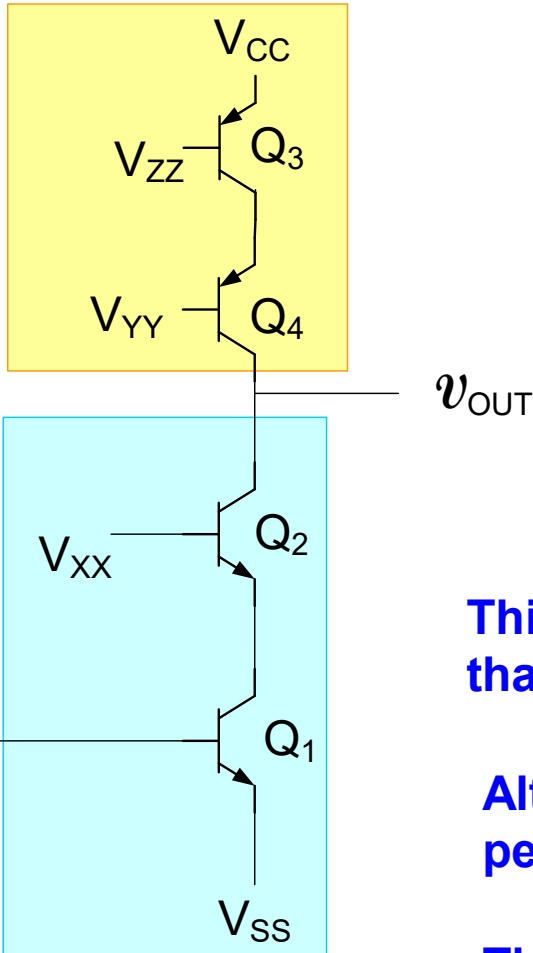


All have the same small-signal model

$$g_{0CC} = \left[\frac{g_{02} (g_{01} + g_{\pi 2})}{g_{01} + g_{02} + g_{\pi 2} + g_{m2}} \right]$$

Cascode Configuration

Discuss



$$A_V = - \left[\frac{g_{m1}}{g_{o1}} \right] \frac{\beta}{2}$$

$$A_V = - [8000] \frac{100}{2} \cong -400,000$$

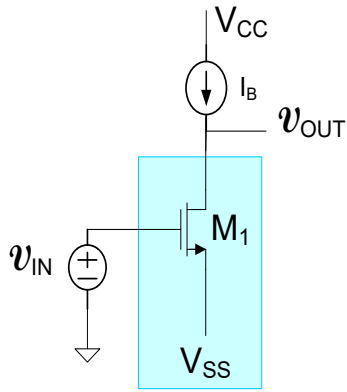
This gain is very large and is a factor of 2 below that obtained with an ideal current source biasing

Although the factor of 2 is not desired, the performance of this circuit is still very good

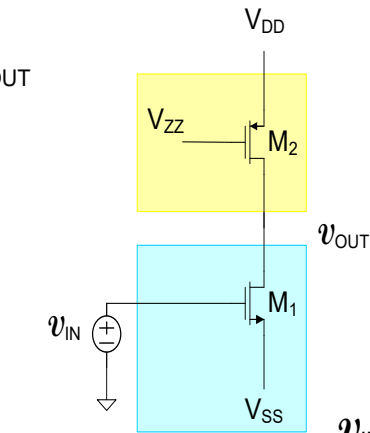
This factor of 2 gain reduction is that same as was observed for the CE amplifier when a transistor-level current source was used

Review from Last Lecture

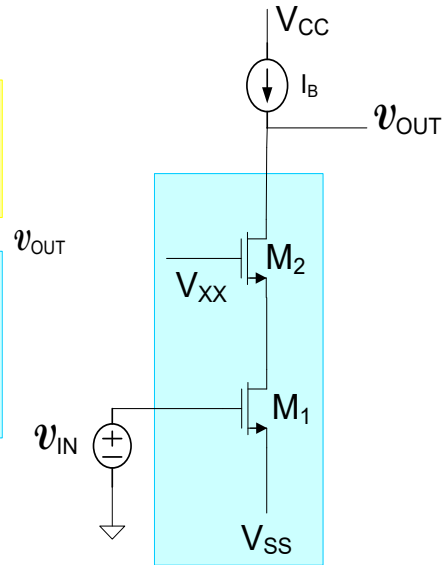
High Gain Amplifier Comparisons (n-ch MOS)



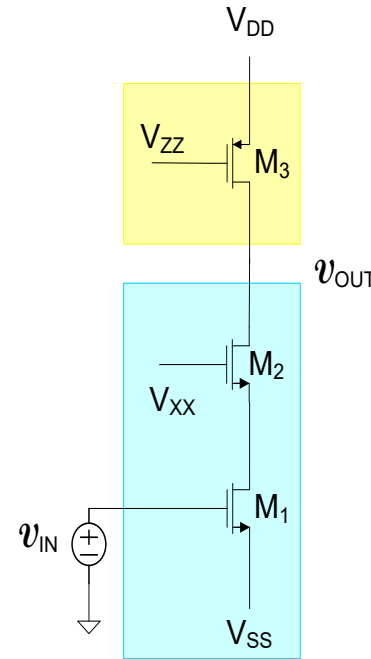
$$A_V \cong - \left[\frac{g_{m1}}{g_{o1}} \right]$$



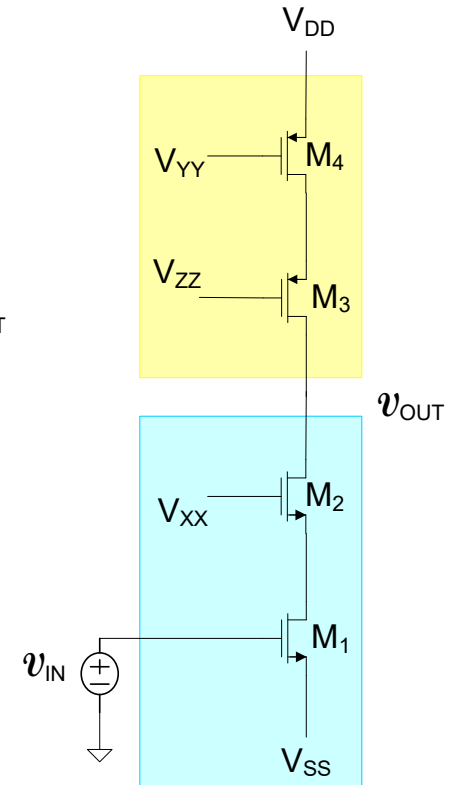
$$A_V \cong - \frac{1}{2} \left[\frac{g_{m1}}{g_{o1}} \right]$$



$$A_{VCC} \cong - \left[\frac{g_{m1}g_{m2}}{g_{o1}g_{o2}} \right]$$

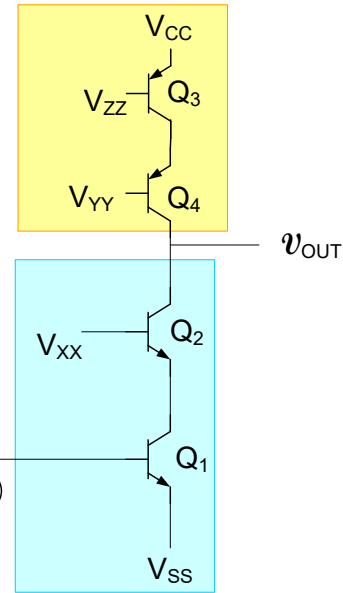
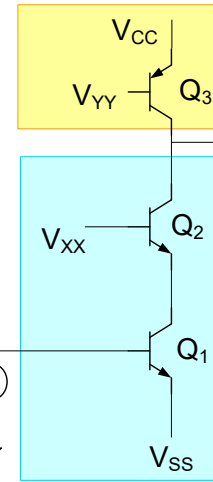
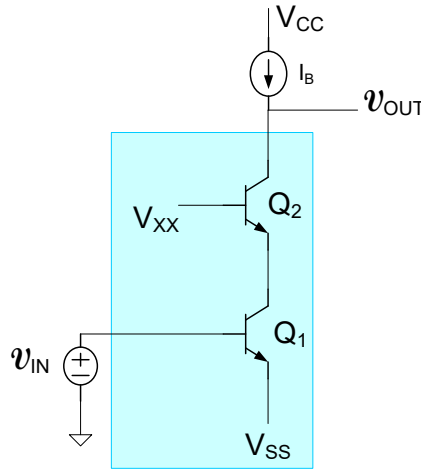
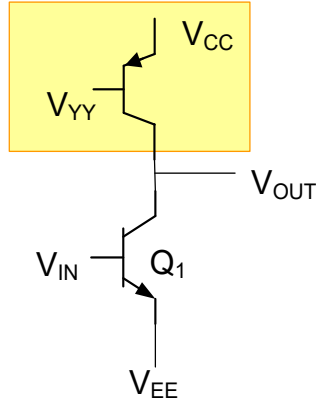
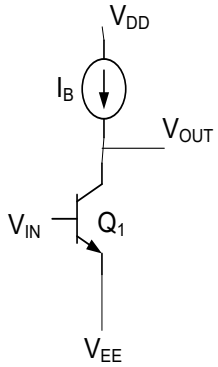


$$A_{VCC} \cong - \left[\frac{g_{m1}}{g_{o1}} \right]$$



$$A_{VCC} \cong - \frac{1}{2} \left[\frac{g_{m1}g_{m2}}{g_{o1}g_{o2}} \right]$$

High Gain Amplifier Comparisons (BJT)



$$A_V = \frac{-g_m}{g_0}$$

$$A_V \cong -\frac{1}{2} \frac{g_{m1}}{g_{01}}$$

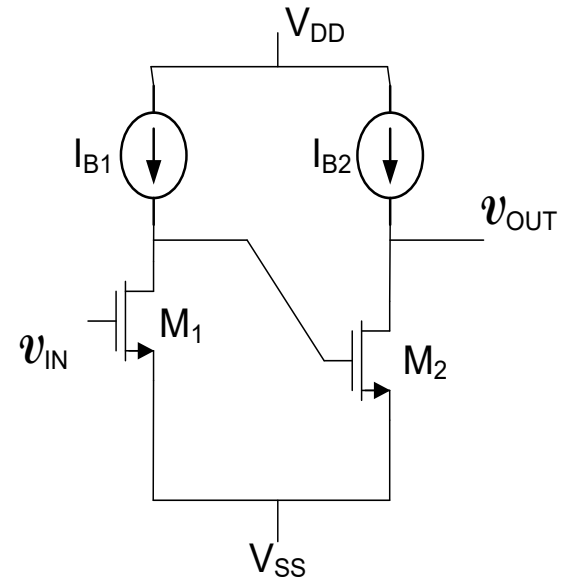
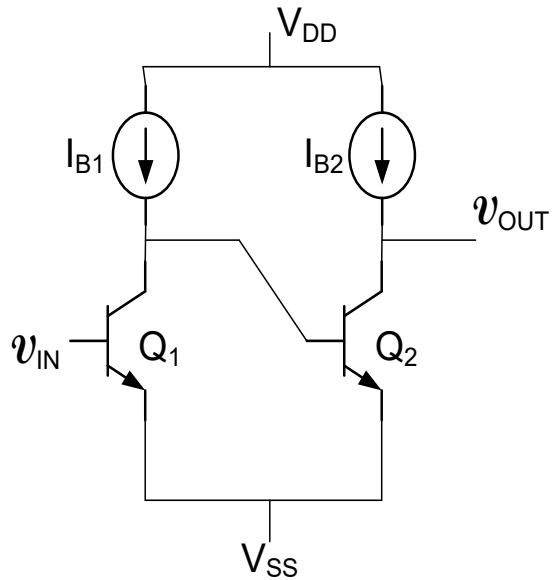
$$A_V \cong -\left[\frac{g_{m1}}{g_{01}} \right] \beta$$

$$A_V \cong -\left[\frac{g_{m1}}{g_{01}} \right]$$

$$A_V = -\left[\frac{g_{m1}}{g_{01}} \right] \frac{\beta}{2}$$

- Single-ended high-gain amplifiers inherently difficult to bias (because of the high gain)
- Biasing becomes practical when used in differential applications
- These structures are widely used but usually with differential inputs

Cascade Configurations

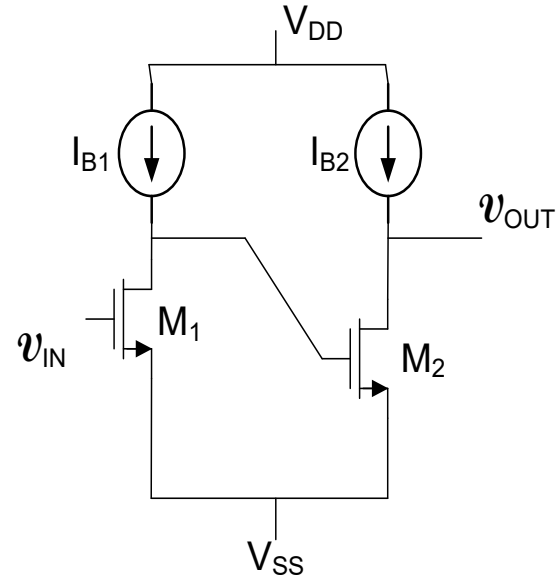
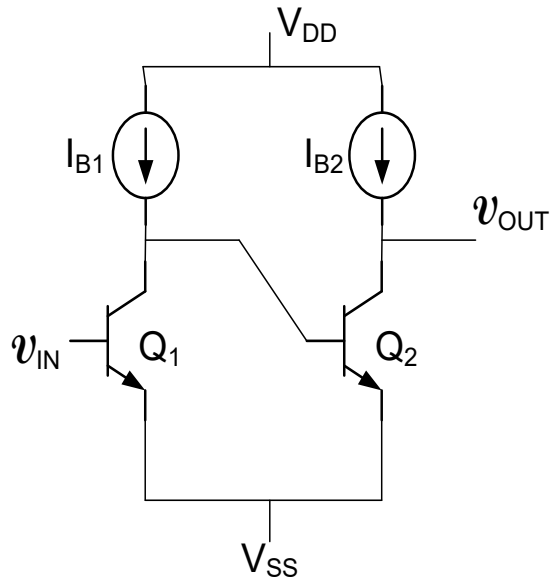


Two-stage CE:CE or CS:CS Cascade

$$A_{V_{CB}} = ?$$

$$A_{V_{CM}} = ?$$

Cascade Configurations



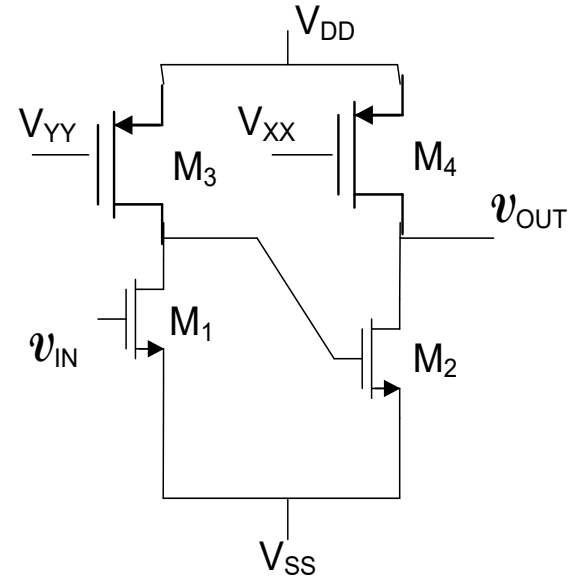
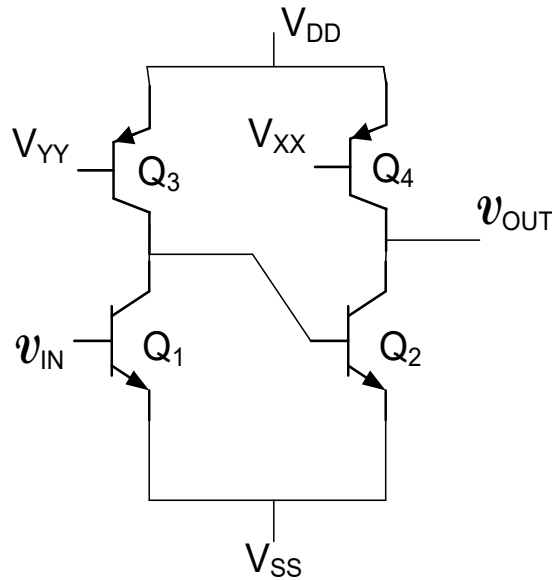
Two-stage CE:CE or CS:CS Cascade

$$A_{VCB} \cong \left[\frac{-g_{m1}}{g_{o1} + g_{\pi 2}} \right] \left[\frac{-g_{m2}}{g_{o2}} \right] \cong \frac{g_{m1} g_{m2}}{g_{\pi 2} g_{o2}} = \beta \frac{g_{m1}}{g_{o2}}$$

$$A_{VCM} = \left[\frac{-g_{m1}}{g_{o1}} \right] \left[\frac{-g_{m2}}{g_{o2}} \right] = \frac{g_{m1} g_{m2}}{g_{o1} g_{o2}}$$

- Significant increase in gain
- Gain is noninverting
- Comparable to that obtained with the cascode but noninverting

Cascade Configurations



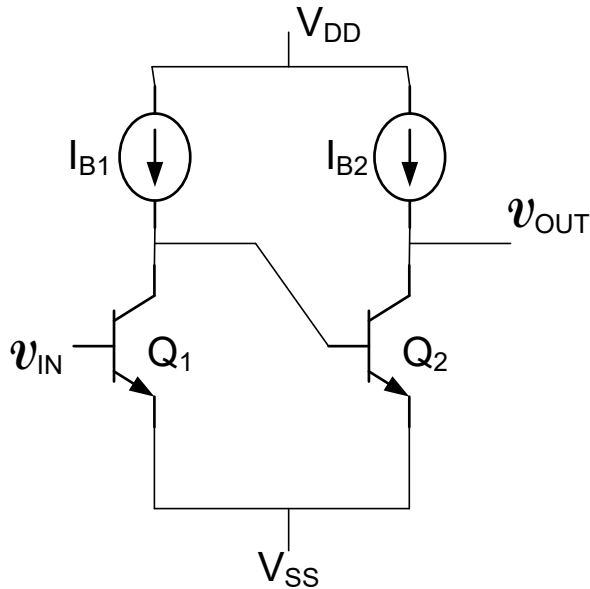
Two-stage CE:CE or CS:CS Cascade

$$A_{VCB} \cong \left[\frac{-g_{m1}}{g_{o1} + g_{o3} + g_{\pi 2}} \right] \left[\frac{-g_{m2}}{g_{o2} + g_{o4}} \right] \cong \frac{g_{m1} g_{m2}}{2g_{\pi} 2g_{o2}} = \beta \frac{g_{m1}}{2g_{o2}}$$

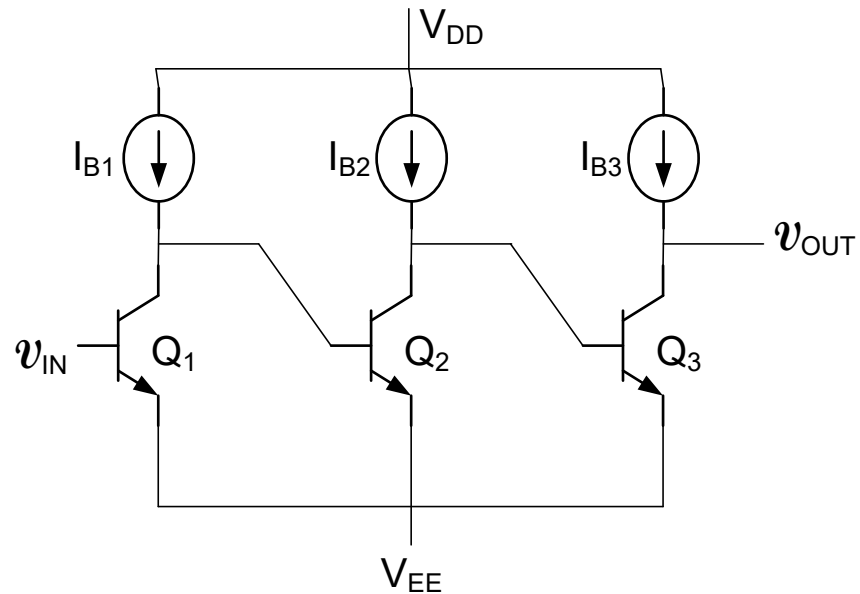
$$A_{VCM} = \left[\frac{-g_{m1}}{g_{o1} + g_{o3}} \right] \left[\frac{-g_{m2}}{g_{o2} + g_{o4}} \right] = \frac{g_{m1} g_{m2}}{4g_{o1} g_{o2}}$$

Note factor of 2 and 4 reduction in gain due to actual current source bias

Cascade Configurations



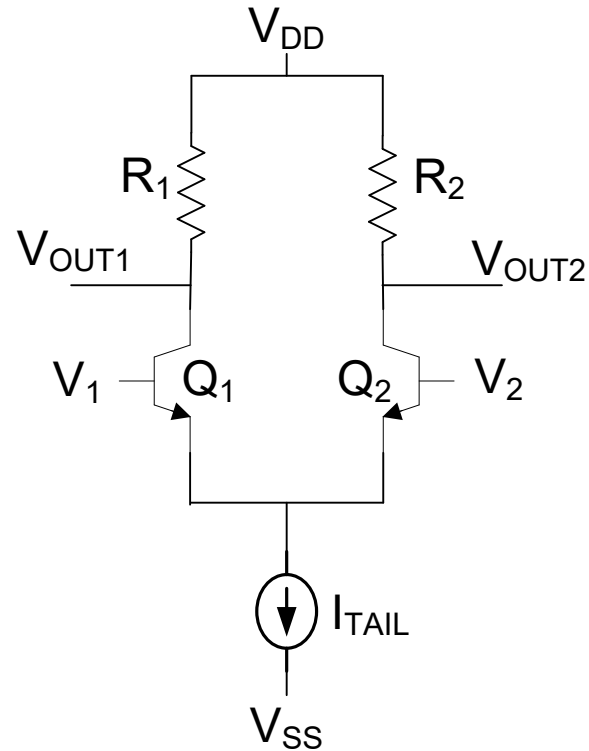
Two-stage CE Cascade



Three-stage CE Cascade

- Large gains can be obtained by cascading
- Gains are multiplicative (when loading is included)
- Large gains used to build “Op Amps” and feedback used to control gain value
- Some attention is needed for biasing but it is manageable
- Minor variant of the two-stage cascade often used to build Op Amps
- Compensation of two-stage cascade needed if feedback is applied to maintain stability
- For many years three or more stages were seldom cascaded because of challenges in compensation to maintain stability though recently some industrial adoptions

Differential Amplifiers



Basic operational amplifier circuit

Amplifier Biasing

Amplifier biasing is that part of the design of a circuit that establishes the desired operating point (or Q-point)

Goal is to invariably minimize the impact the biasing circuit has on the small-signal performance of a circuit

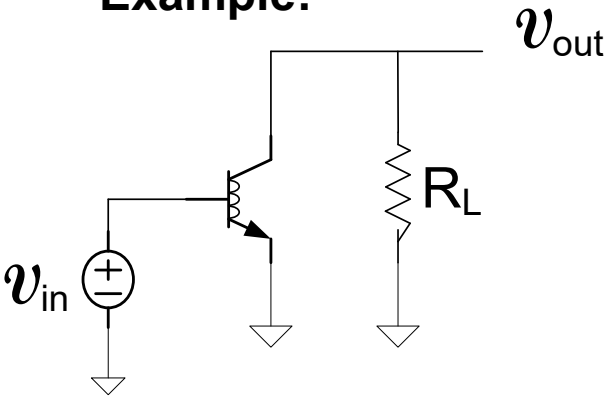
Usually at most 2 dc power supplies are available and these are often fixed in value by system requirements – this restriction is cost driven

Discrete amplifiers invariably involve adding biasing resistors and use capacitor coupling and bypassing

Integrated amplifiers often use current sources which can be used in very large numbers and are very inexpensive

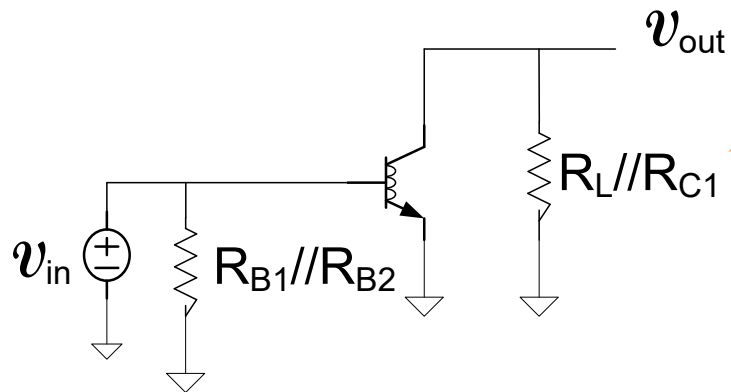
Amplifier Biasing

Example:



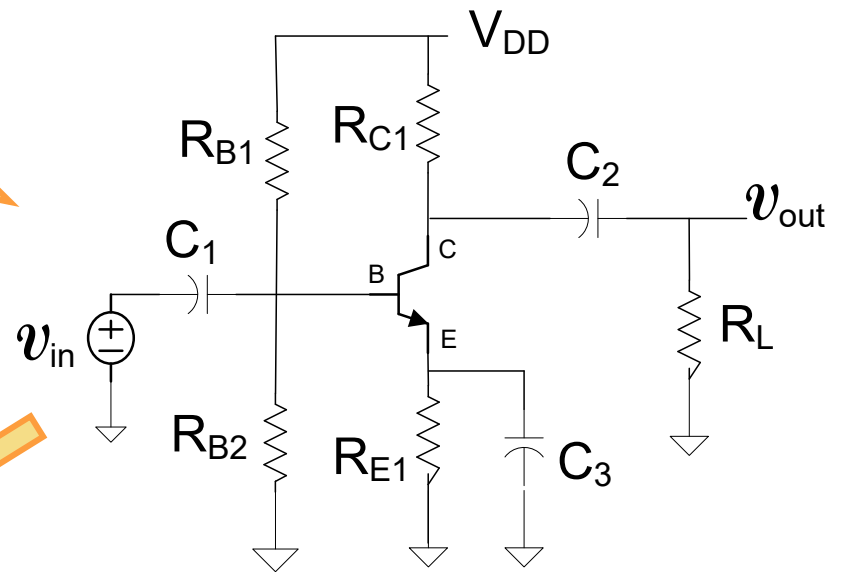
$$A_V = -g_m R_L$$

Desired small-signal circuit
Common Emitter Amplifier



Actual small-signal circuit

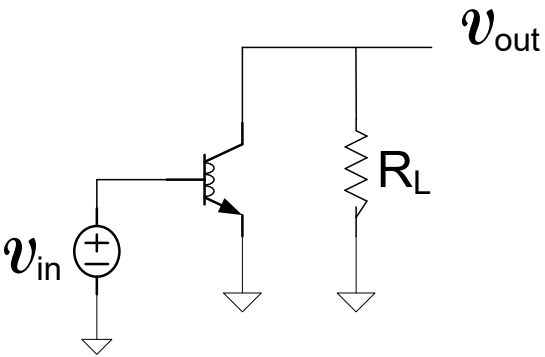
$$A_V = -g_m (R_L // R_{C1})$$



Biased circuit

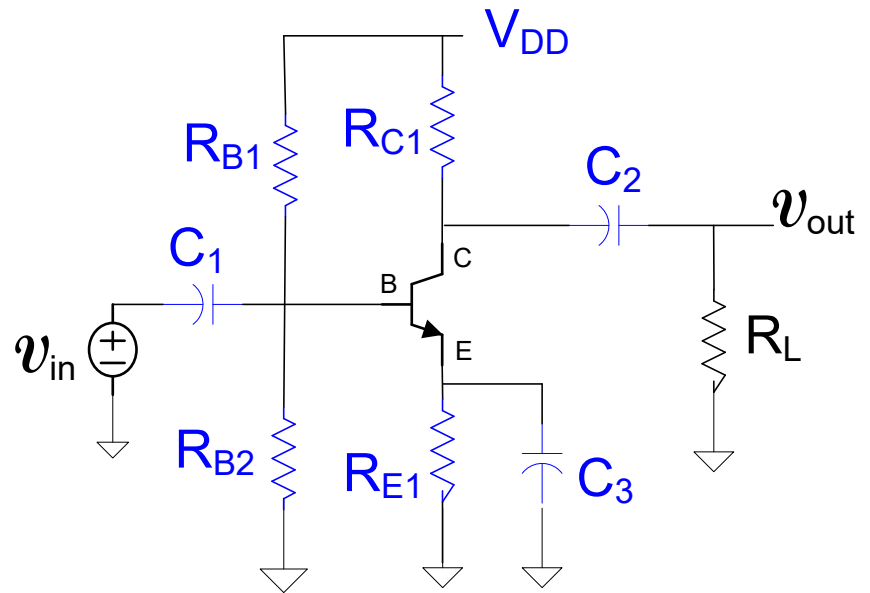
Amplifier Biasing

Example:



Biasing components shown in blue

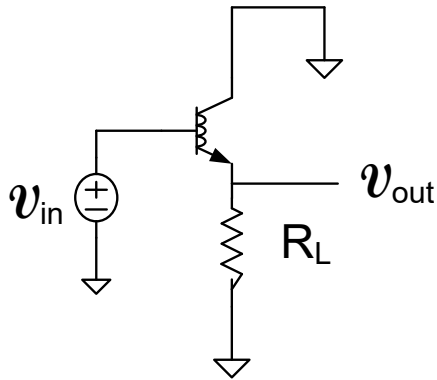
Desired small-signal circuit
Common Emitter Amplifier



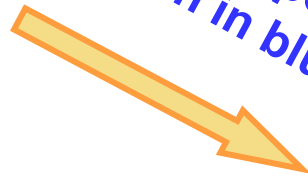
Biased small-signal circuit

Amplifier Biasing

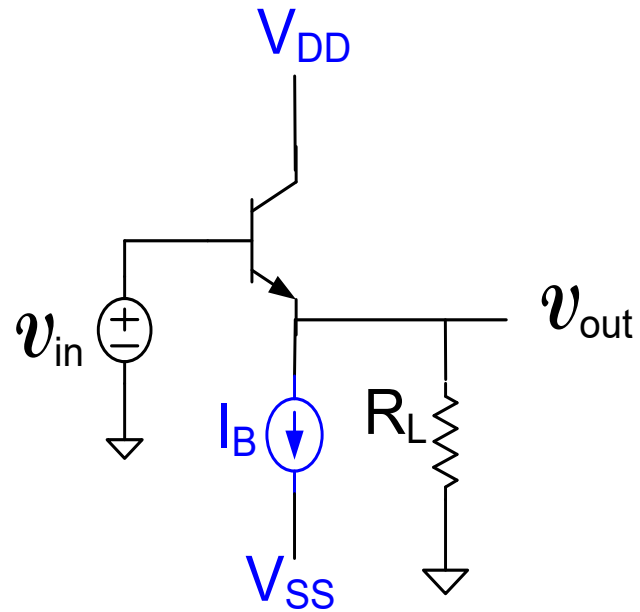
Example:



*Biasing components
shown in blue*



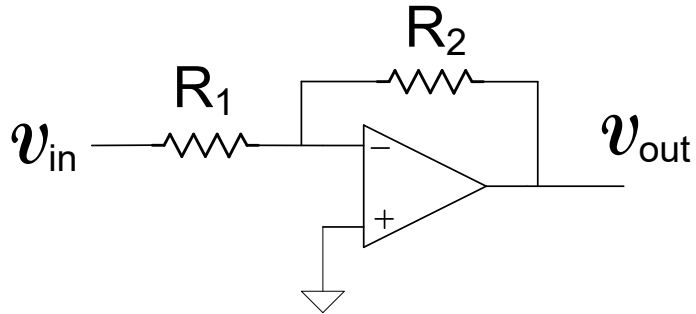
**Desired small-signal circuit
Common Collector Amplifier**



Biased circuit

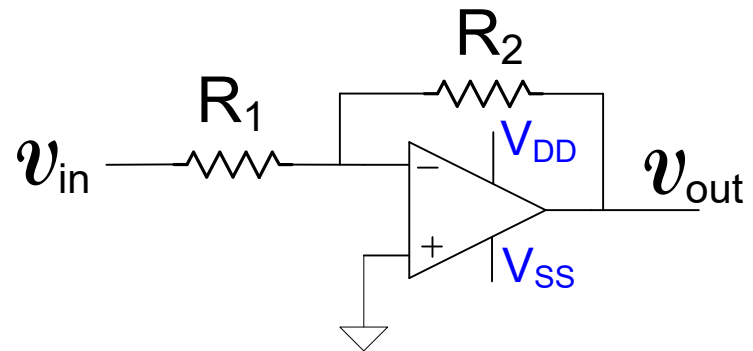
Amplifier Biasing

Example:



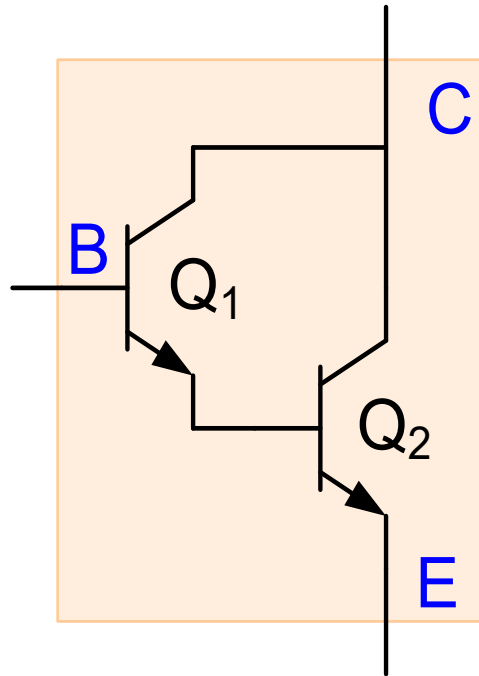
*Biasing components
shown in blue*

**Desired small-signal circuit
Inverting Feedback Amplifier**



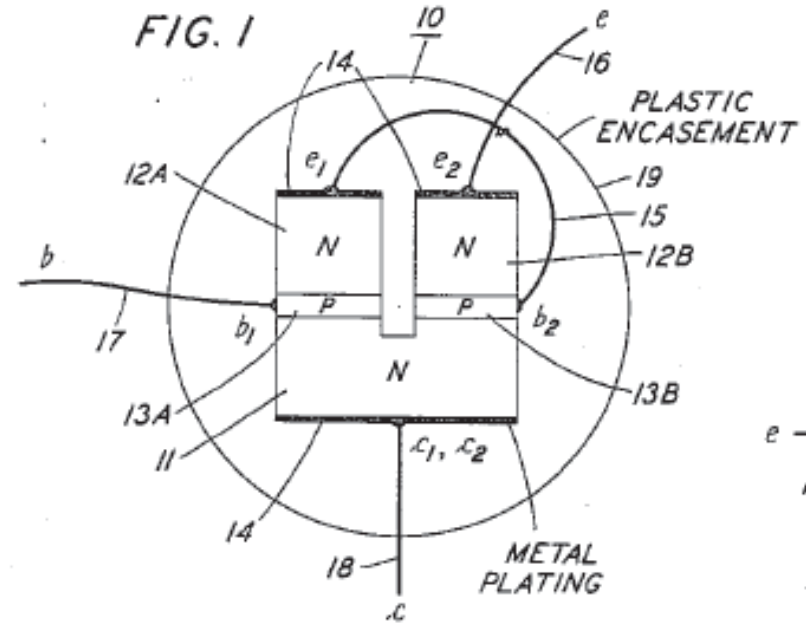
Biased circuit

Other Basic Configurations



Darlington Configuration

- Current gain is approximately β^2
- Two diode drop between B_{eff} and E_{eff}



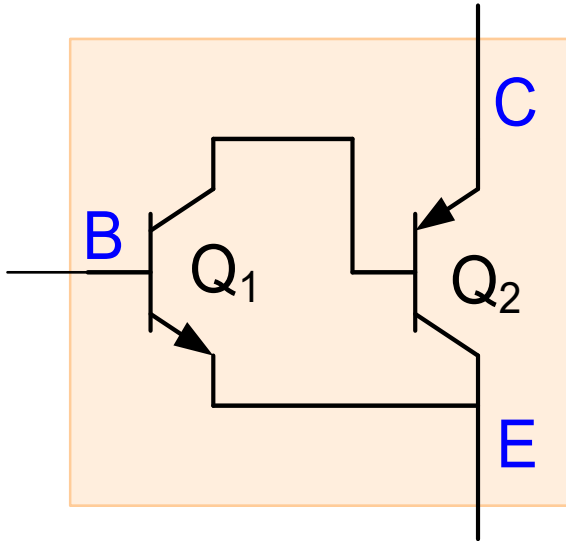
S. DARLINGTON

2,663,806

SEMICONDUCTOR SIGNAL TRANSLATING DEVICE

Filed May 9, 1952

Other Basic Configurations



Sziklai Pair

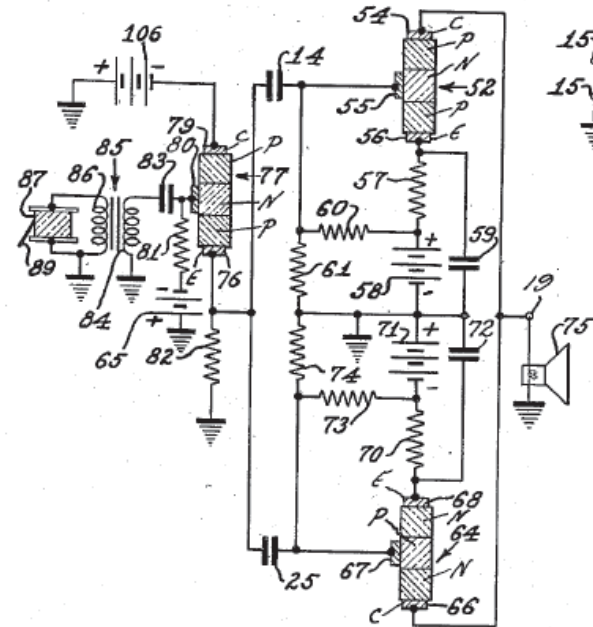


FIG. 3.

May 7, 1957

G. C. SZIKLAI

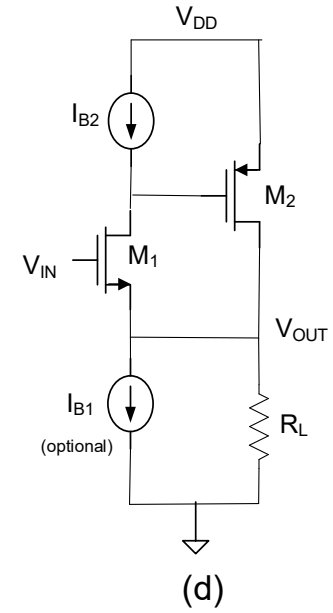
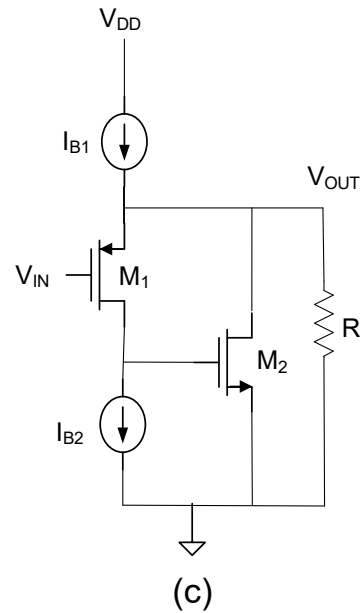
2,791,644

PUSH-PULL AMPLIFIER WITH COMPLEMENTARY TYPE TRANSISTORS

Filed Nov. 7, 1952

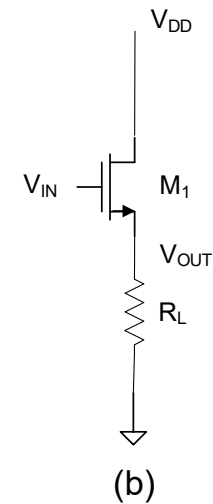
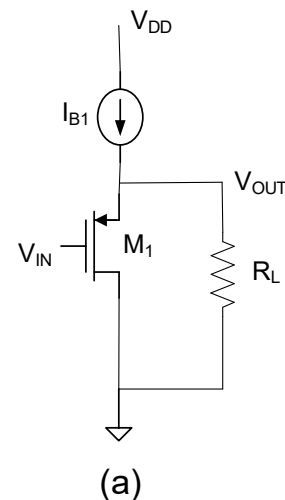
- Gain similar to that of Darlington Pair
- Current gain is approximately $\beta_n \beta_p$
- Current gain will not be as large when $\beta_p < \beta_n$
- Only one diode drop between B_{eff} and E_{eff}

Other Basic Configurations



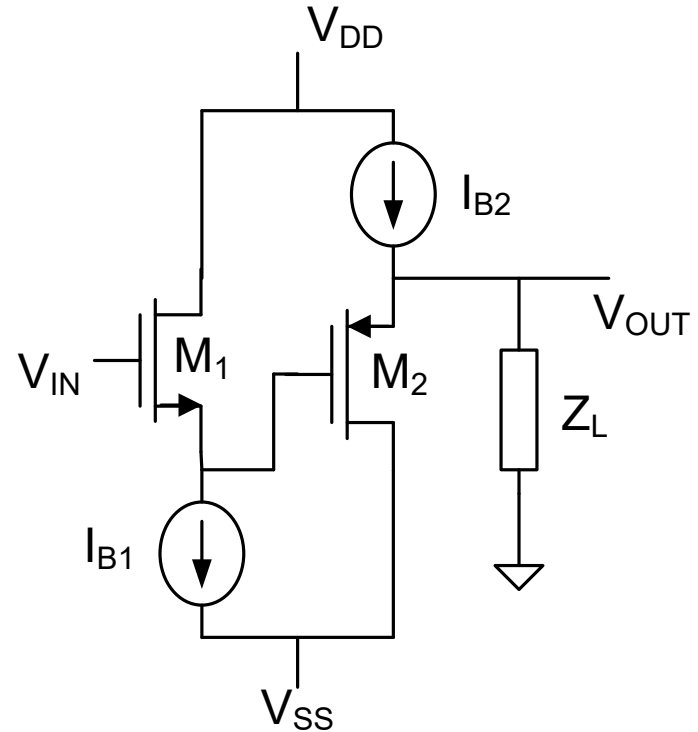
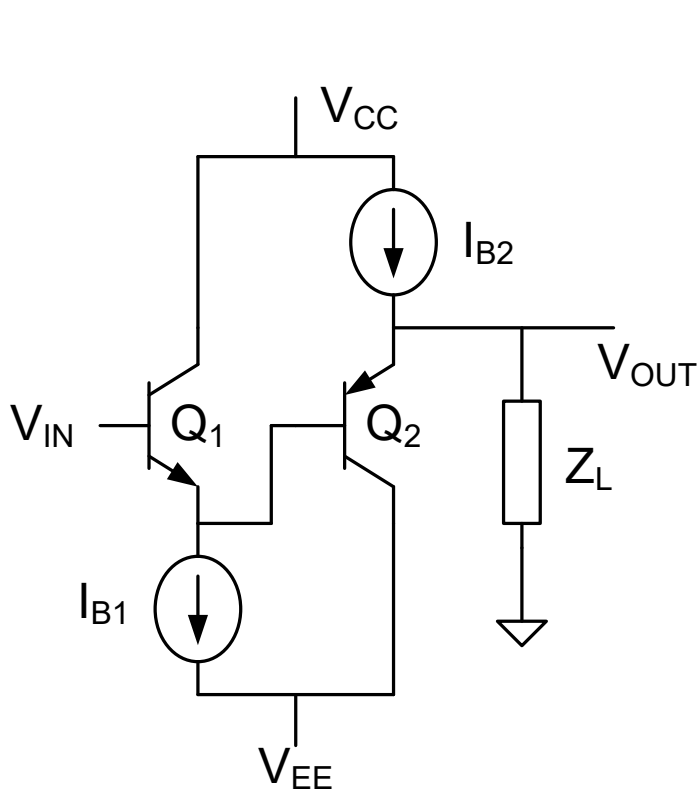
Buffer and Super Buffer

- Voltage shift varies with V_{IN} in buffer
- Current through shift transistor is constant for Super Buffer as V_{IN} changes so voltage shift does not change with V_{IN}
- Same nominal voltage shift



Other Basic Configurations

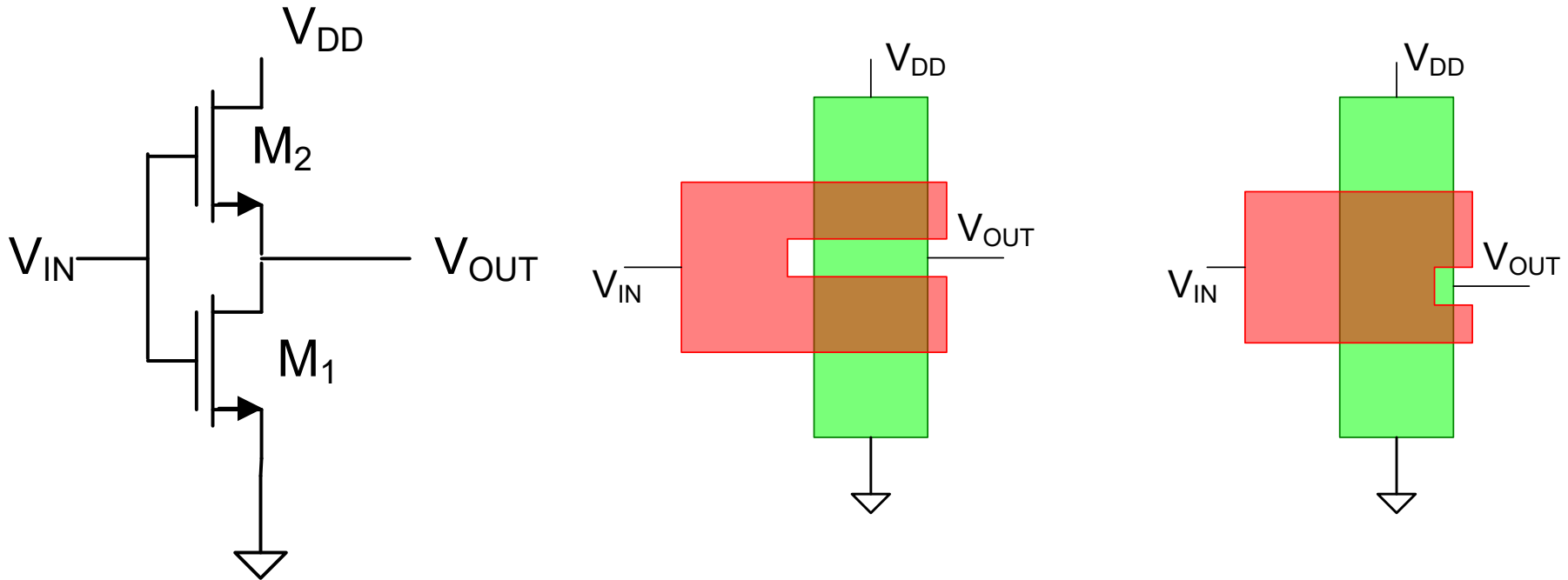
Low offset buffers



- **Actually a CC-CC or a CD-CD cascade**
- **Significant drop in offset between input and output**
- **Biasing with DC current sources**
- **Can Add Super Buffer to Output**

Other Basic Configurations

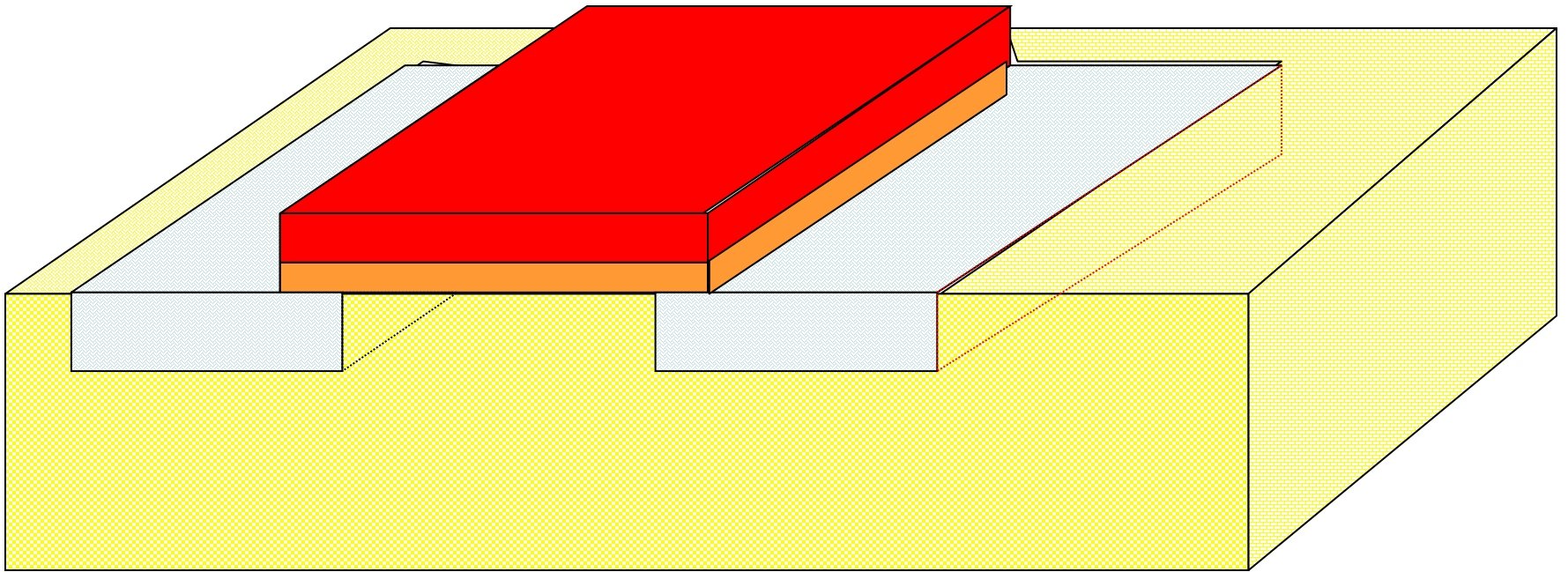
Voltage Attenuator



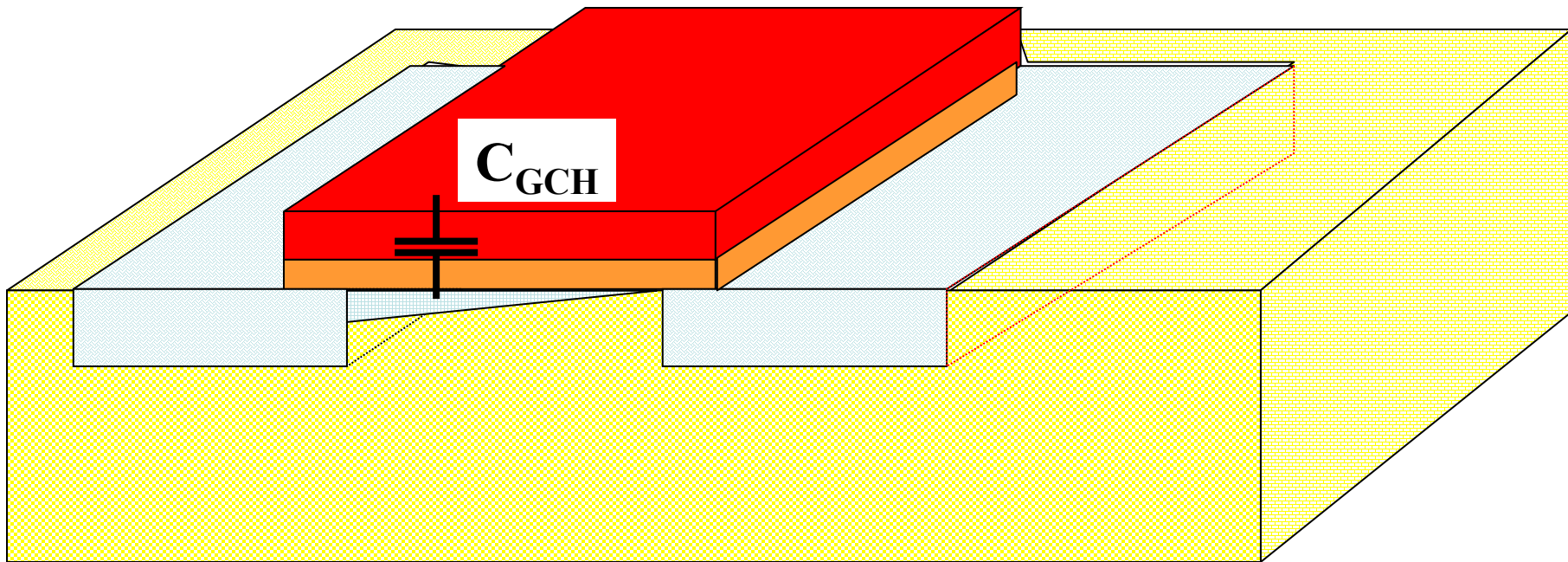
- **Attenuation factor is quite accurate (Determined by geometry)**
- **Infinite input impedance**
- **M_1 in triode, M_2 in saturation**
- **Actually can be a channel-tapped structure**

Frequency-Dependent Performance of Amplifiers

Parasitic Capacitors in MOSFET

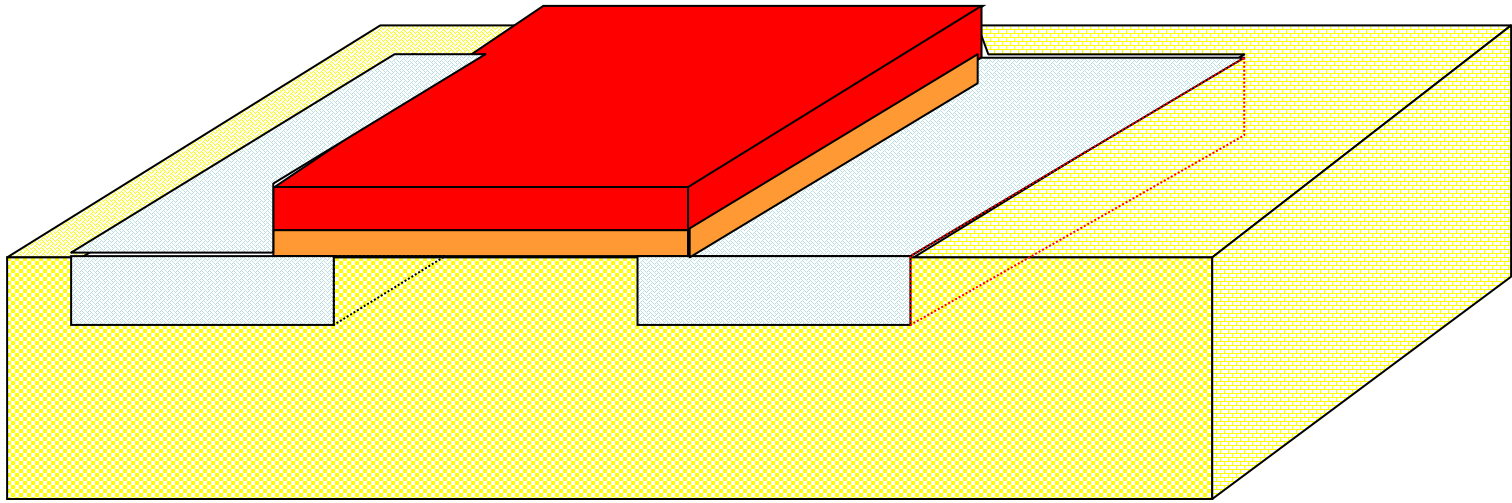


Parasitic Capacitors in MOSFET

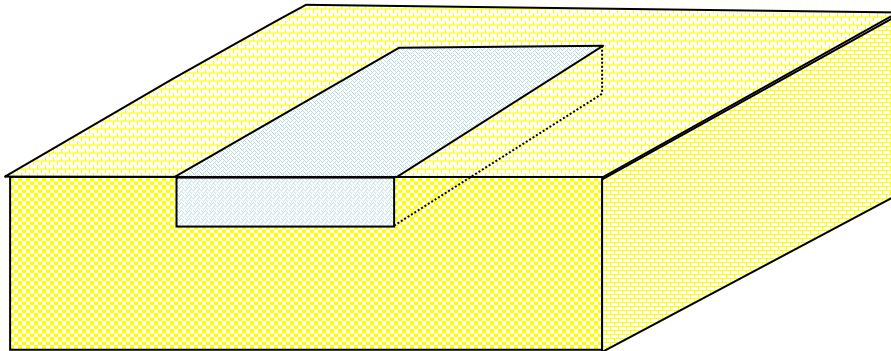


- This capacitance was modeled previously and exists when the transistor is operating in triode or saturation
- But there are others that also affect high-frequency or high-speed operation

Parasitic Capacitors in MOSFET

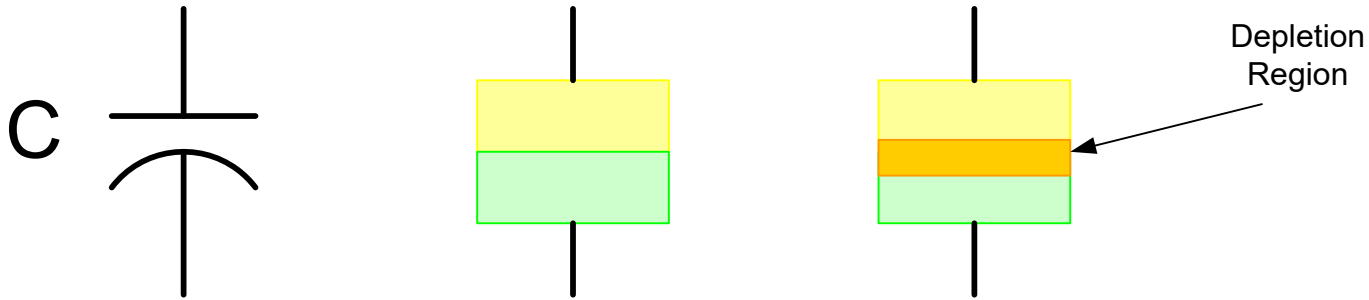
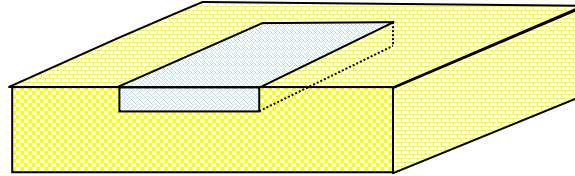


Recall that pn junctions have a depletion region!

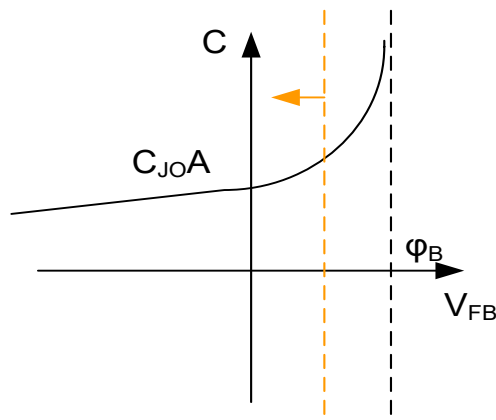


Parasitic Capacitors in MOSFET

pn junction capacitance



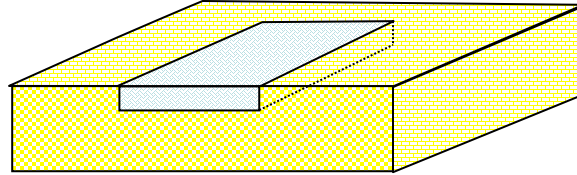
For $V_{FB} < \phi_B/2$



$$C = \frac{C_{J0} A}{\left(1 - \frac{V_{FB}}{\phi_B}\right)^m}$$

Parasitic Capacitors in MOSFET

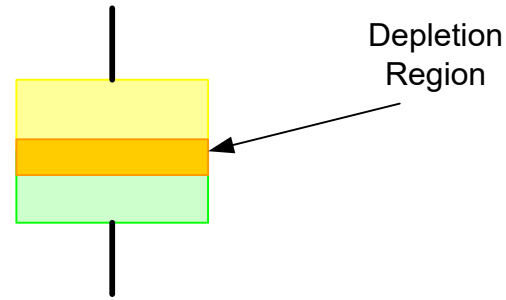
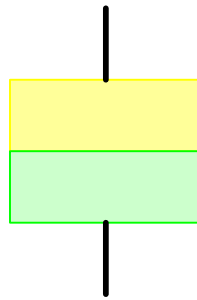
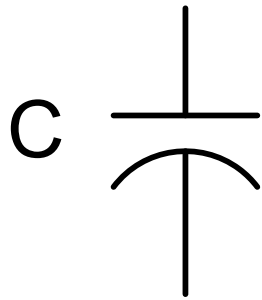
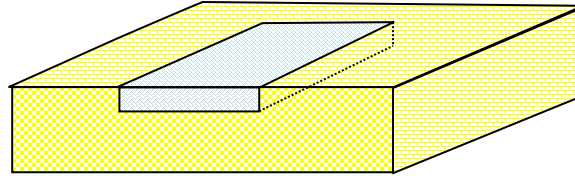
pn junction capacitance



The bottom and the sidewall:

Parasitic Capacitors in MOSFET

pn junction capacitance



For a pn junction capacitor

$$C_J = C_{BOT} A + C_{SW} P$$

$$C_{BOT} = \frac{C_{BOT0}}{\left(1 - \frac{V_{FB}}{\phi_B}\right)^m}$$

$$C_{SW} = \frac{C_{SW0}}{\left(1 - \frac{V_{FB}}{\phi_B}\right)^m}$$

A : Junction Area
 P : Junction Perimeter
 V_{FB} : forward bias on junction

Model Parameters:

$$\{C_{BOT0}, C_{SW0}, \phi_B, m\}$$

C_{BOT} and C_{SW} are capacitance densities

Types of Capacitors in MOSFETs

1. Fixed Capacitors



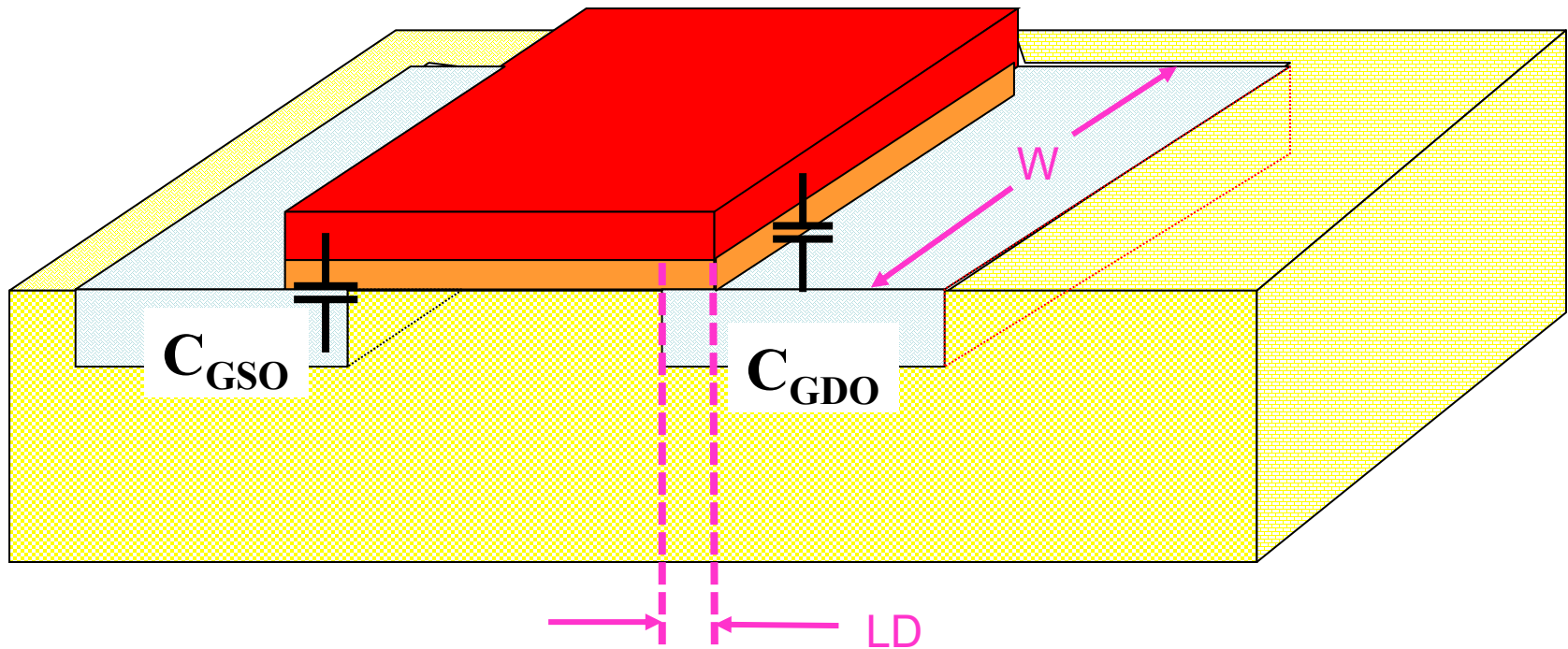
- a. Fixed Geometry

- b. Junction

2. Operating Region Dependent

Parasitic Capacitors in MOSFET

Fixed Capacitors – Fixed Geometry

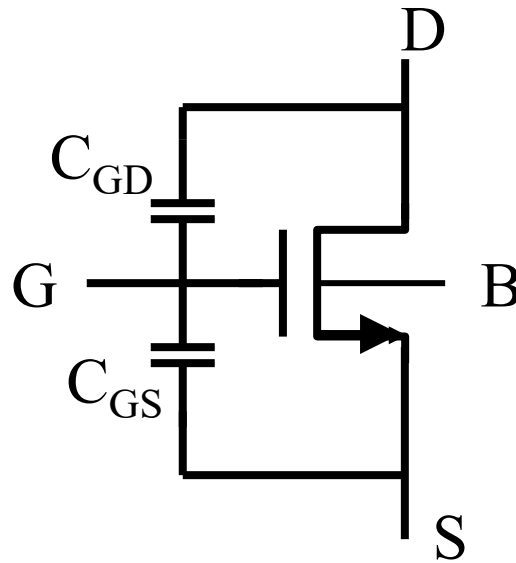


Overlap Capacitors: C_{GDO} , C_{GSO}

L_D : lateral diffusion

Cap Density: C_{OX}

Parasitic Capacitance Summary (partial)



	Cutoff	Ohmic	Saturation
C_{GS}	$C_{ox}WL_D$	$C_{ox}WL_D$	$C_{ox}WL_D$
C_{GD}	$C_{ox}WL_D$	$C_{ox}WL_D$	$C_{ox}WL_D$

L_D is a model parameter

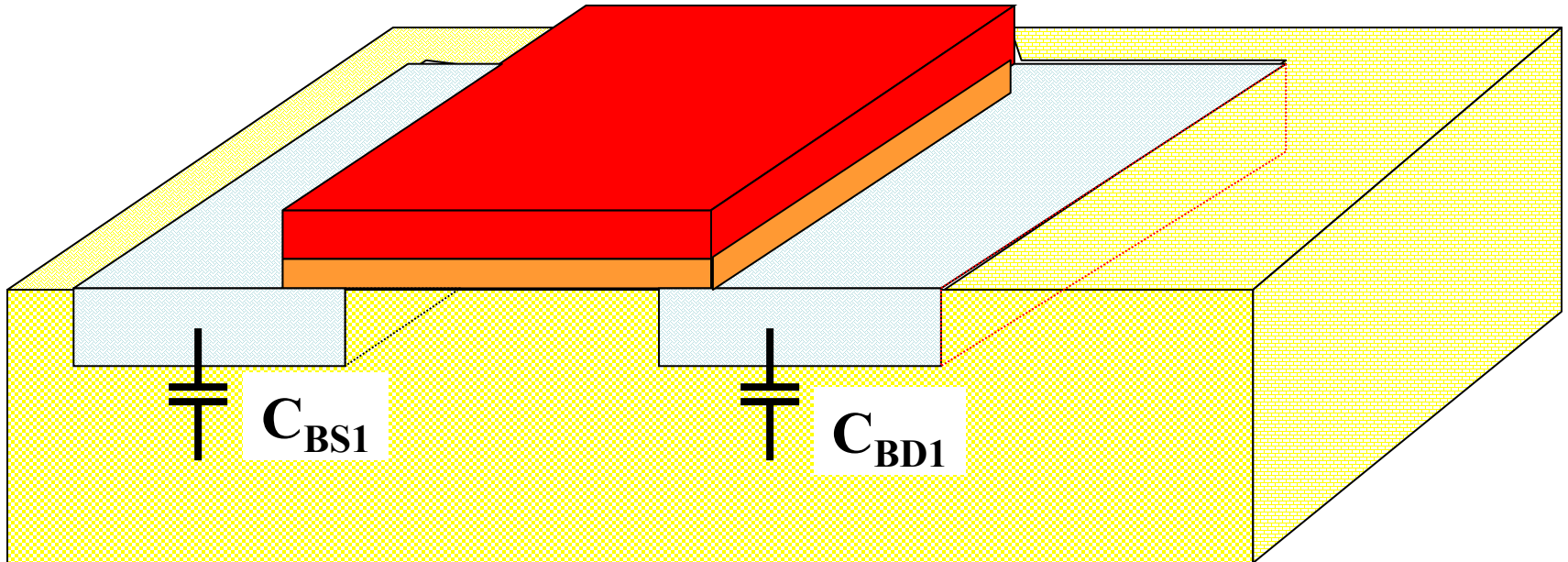
Types of Capacitors in MOSFETs

1. Fixed Capacitors
 - a. Fixed Geometry
 -  b. Junction

2. Operating Region Dependent

Parasitic Capacitors in MOSFET

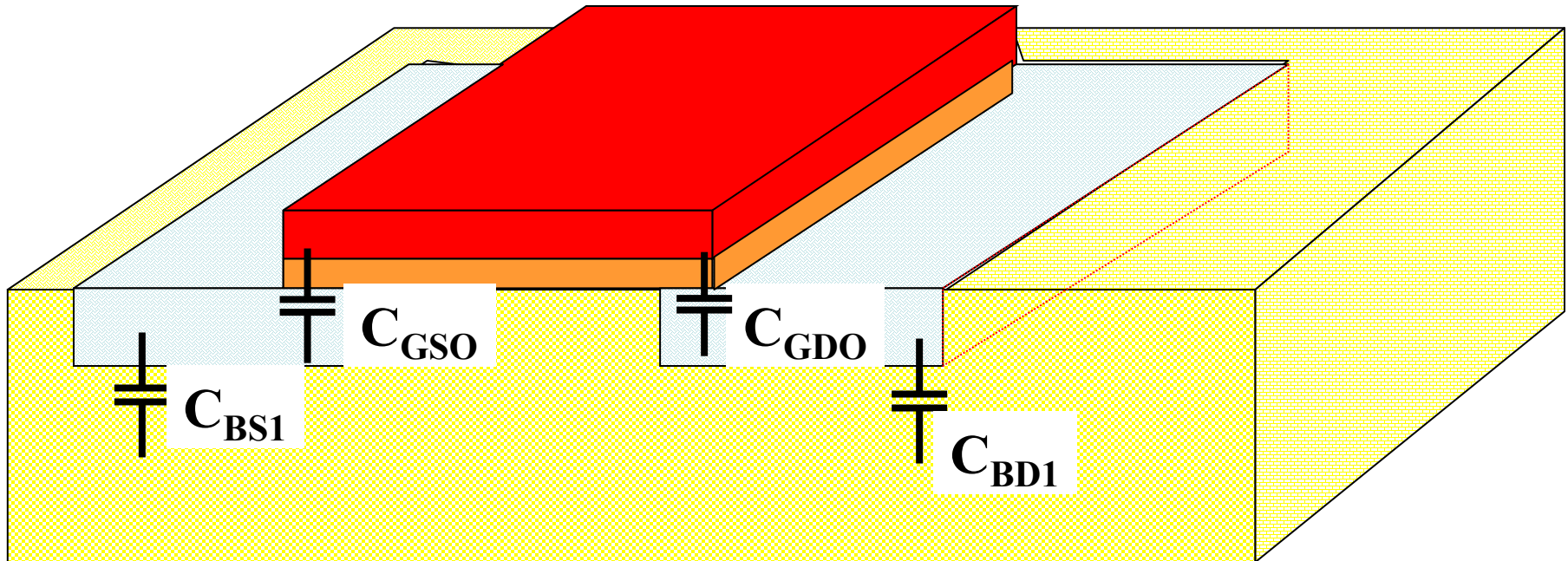
Fixed Capacitors- Junction



Junction Capacitors: C_{BS1} , C_{BD1}

Parasitic Capacitors in MOSFET

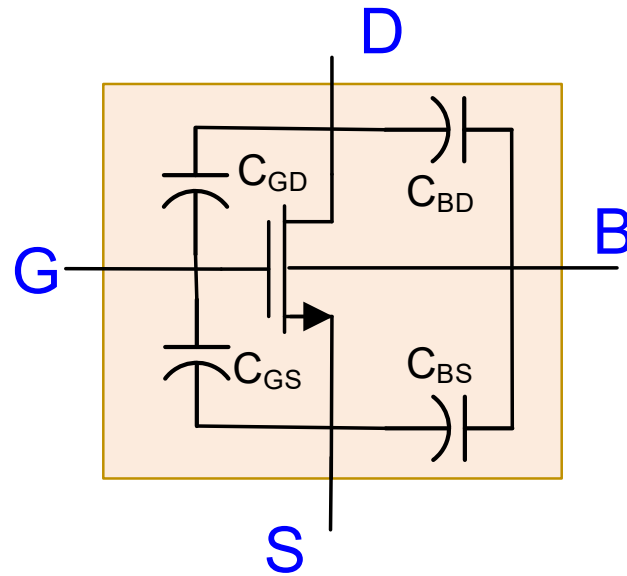
- Fixed Capacitors



Overlap Capacitors: C_{GDO} , C_{GSO}

Junction Capacitors: C_{BS1} , C_{BD1}

Fixed Parasitic Capacitance Summary



C_{BOT} and C_{SW} are model parameters

	Cutoff	Ohmic	Saturation
C_{GS}	$C_{ox}W_L D$	$C_{ox}W_L D$	$C_{ox}W_L D$
C_{GD}	$C_{ox}W_L D$	$C_{ox}W_L D$	$C_{ox}W_L D$
C_{BG}			
C_{BS}	$C_{BS1} = C_{BOT}A_S + C_{SW}P_S$	$C_{BS1} = C_{BOT}A_S + C_{SW}P_S$	$C_{BS1} = C_{BOT}A_S + C_{SW}P_S$
C_{BD}	$C_{BD1} = C_{BOT}A_D + C_{SW}P_D$	$C_{BD1} = C_{BOT}A_D + C_{SW}P_D$	$C_{BD1} = C_{BOT}A_D + C_{SW}P_D$

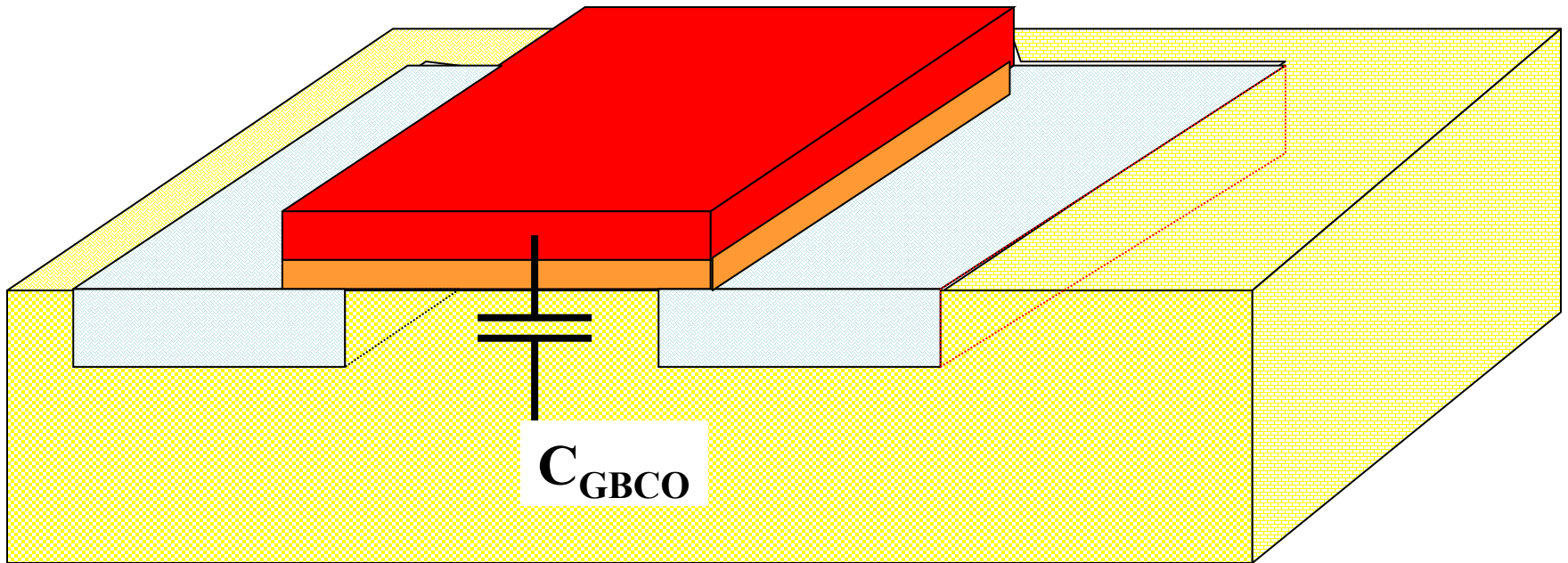
Types of Capacitors in MOSFETs

1. Fixed Capacitors
 - a. Fixed Geometry
 - b. Junction

 2. Operating Region Dependent

Parasitic Capacitors in MOSFET

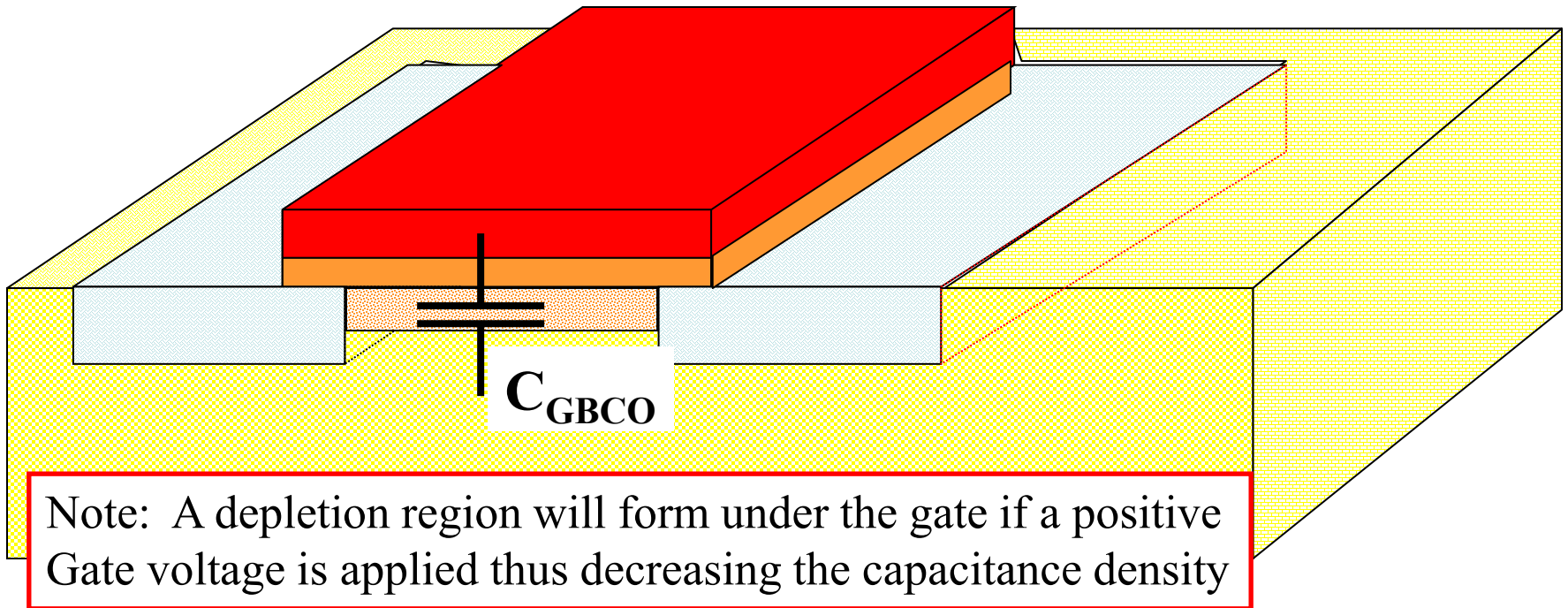
Operation Region Dependent -- **Cutoff**



Cutoff Capacitor: C_{GBCO}

Parasitic Capacitors in MOSFET

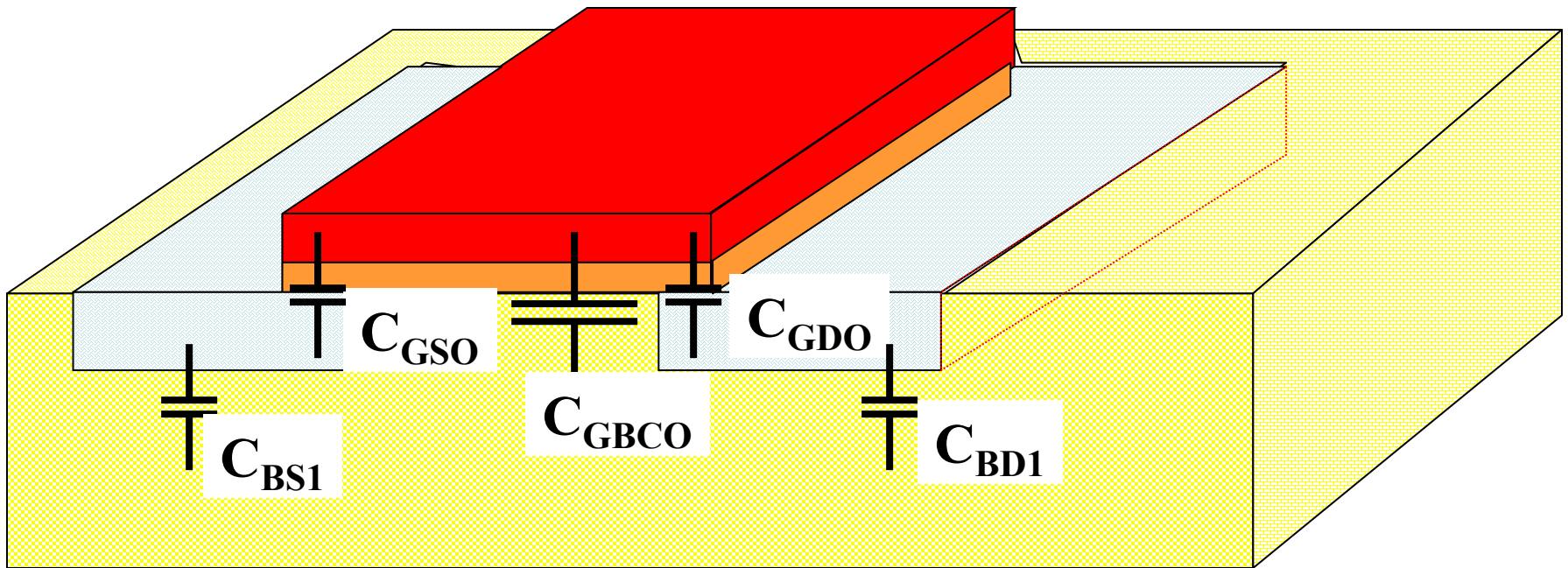
Operation Region Dependent -- Cutoff



Cutoff Capacitor: C_{GBCO}

Parasitic Capacitors in MOSFET

Operation Region Dependent and Fixed -- **Cutoff**

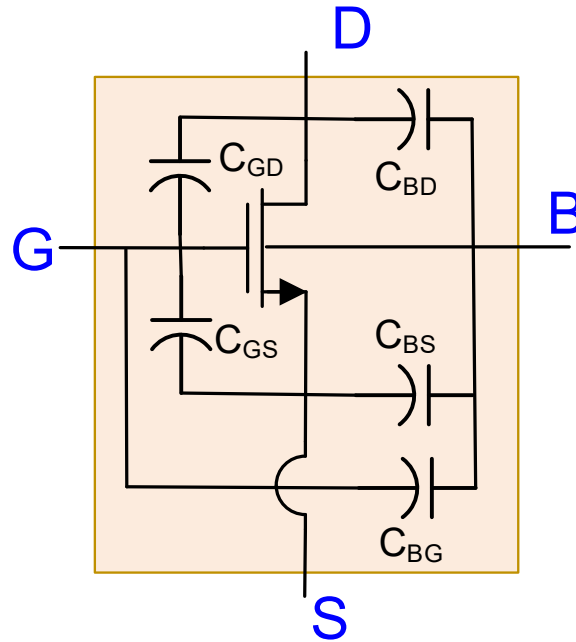


Overlap Capacitors: C_{GDO} , C_{GSO}

Junction Capacitors: C_{BS1} , C_{BD1}

Cutoff Capacitor: C_{GBCO}

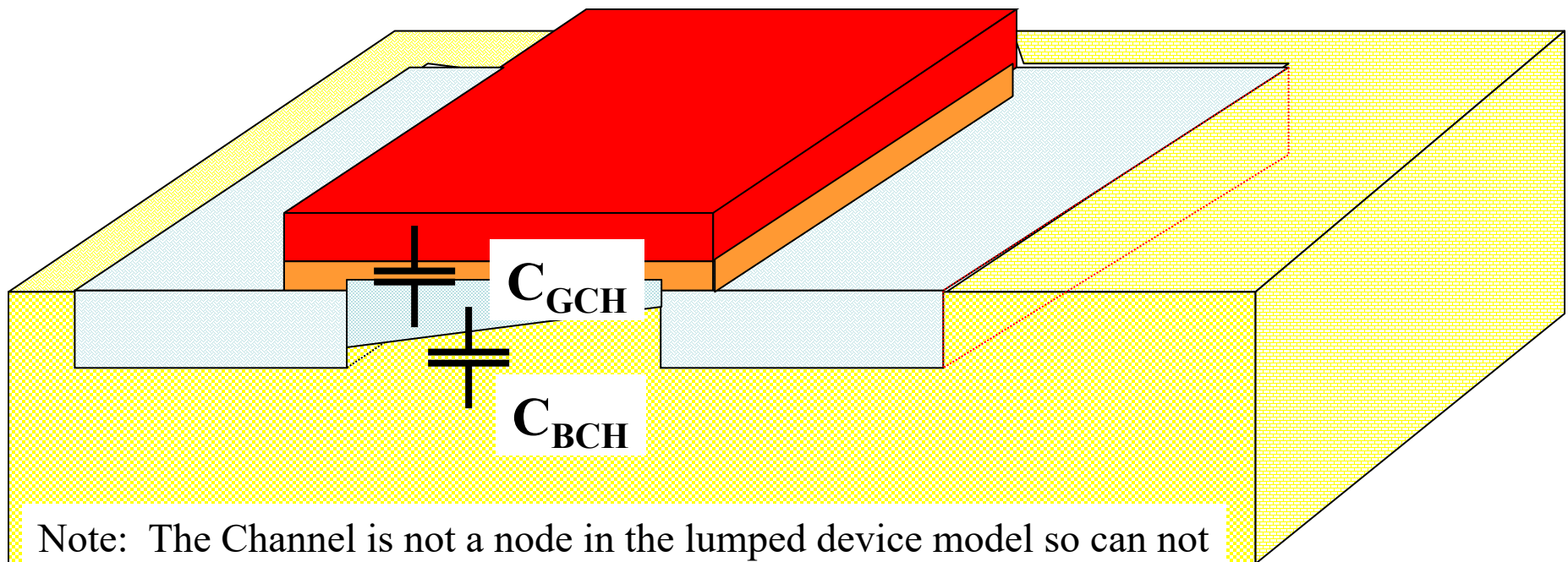
Parasitic Capacitance Summary



	Cutoff	Ohmic	Saturation
C_{GS}	$C_{ox}W L_D$		
C_{GD}	$C_{ox}W L_D$		
C_{BG}	$C_{ox}W L$ (or less)		
C_{BS}	$C_{BOT}A_S + C_{SW}P_S$		
C_{BD}	$C_{BOT}A_D + C_{SW}P_D$		

Parasitic Capacitors in MOSFET

Operation Region Dependent -- Ohmic



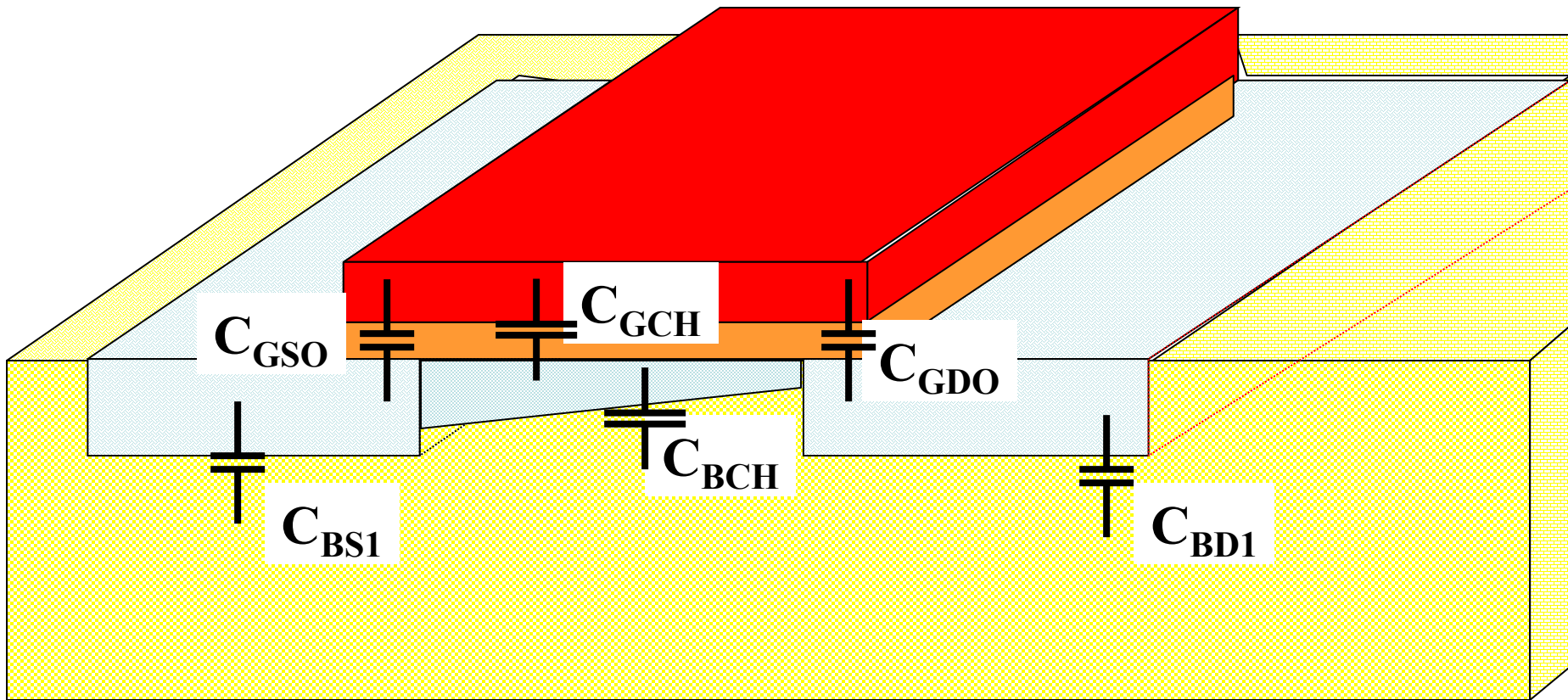
Note: The Channel is not a node in the lumped device model so can not directly include this distributed capacitance in existing models

Note: The distributed channel capacitance is usually lumped and split evenly between the source and drain nodes

Ohmic Capacitor: C_{GCH} , C_{BCH}

Parasitic Capacitors in MOSFET

Operation Region Dependent and Fixed -- Ohmic

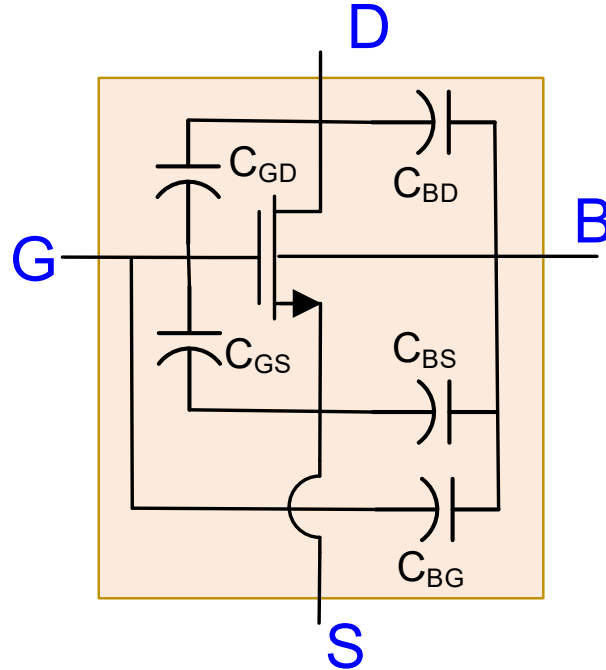


Overlap Capacitors: C_{GDO} , C_{GSO}

Junction Capacitors: C_{BS1} , C_{BD1}

Ohmic Capacitor: C_{GCH} , C_{BCH}

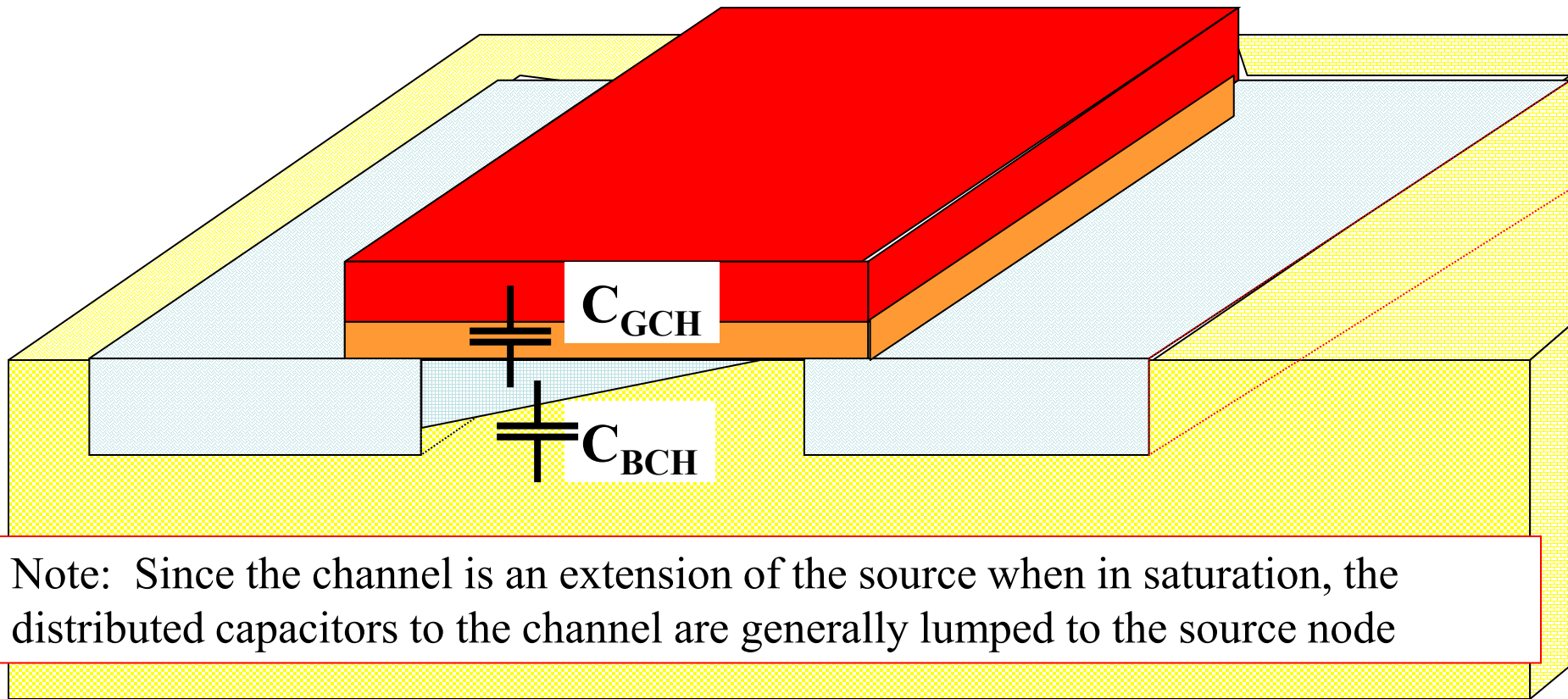
Parasitic Capacitance Summary



	Cutoff	Ohmic	Saturation
C_{GS}	$C_{ox}W L_D$	$0.5C_{ox}W L$	
C_{GD}	$C_{ox}W L_D$	$0.5C_{ox}W L$	
C_{BG}	$C_{ox}W L$ (or less)	0	
C_{BS}	$C_{BOT}A_S + C_{SW}P_S$	$C_{BOT}A_S + C_{SW}P_S + 0.5W L C_{BOTCH}$	
C_{BD}	$C_{BOT}A_D + C_{SW}P_D$	$C_{BOT}A_D + C_{SW}P_D + 0.5W L C_{BOTCH}$	

Parasitic Capacitors in MOSFET

Operation Region Dependent -- Saturation

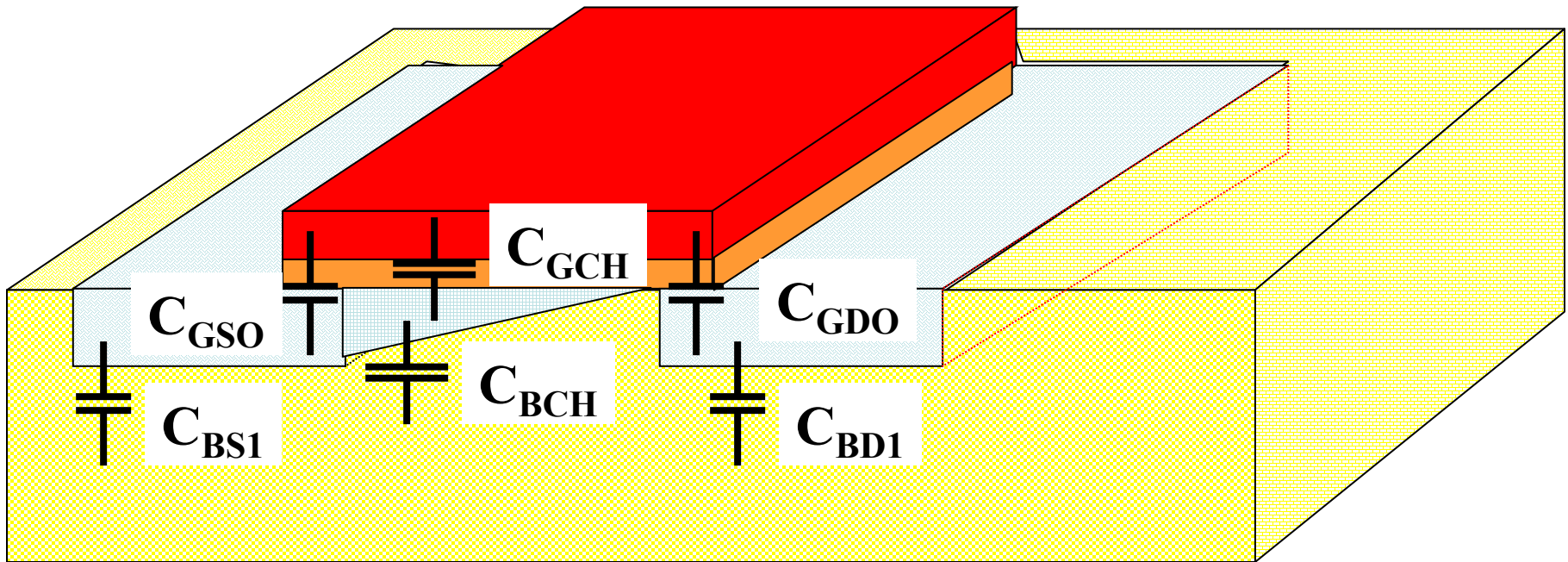


Note: Since the channel is an extension of the source when in saturation, the distributed capacitors to the channel are generally lumped to the source node

Saturation Capacitors: C_{GCH} , C_{BCH}

Parasitic Capacitors in MOSFET

Operation Region Dependent and Fixed --Saturation



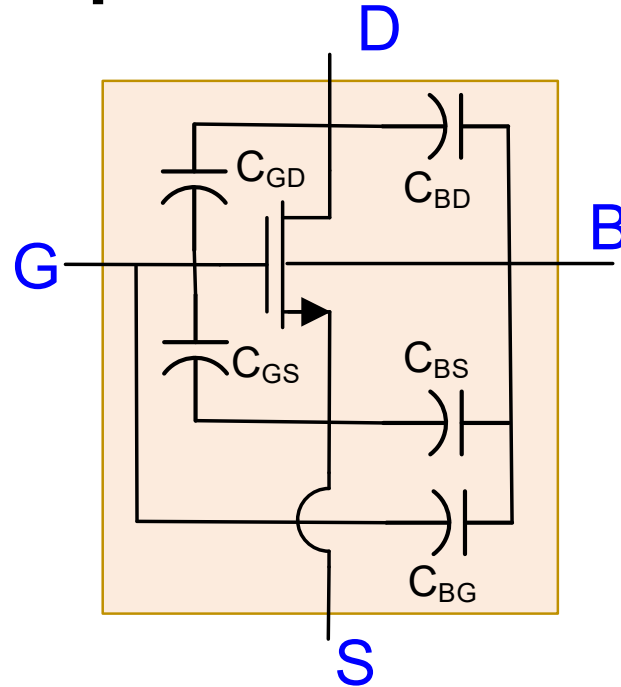
Overlap Capacitors: C_{GDO} , C_{GSO}

Junction Capacitors: C_{BS1} , C_{BD1}

Saturation Capacitors: C_{GCH} , C_{BCH}

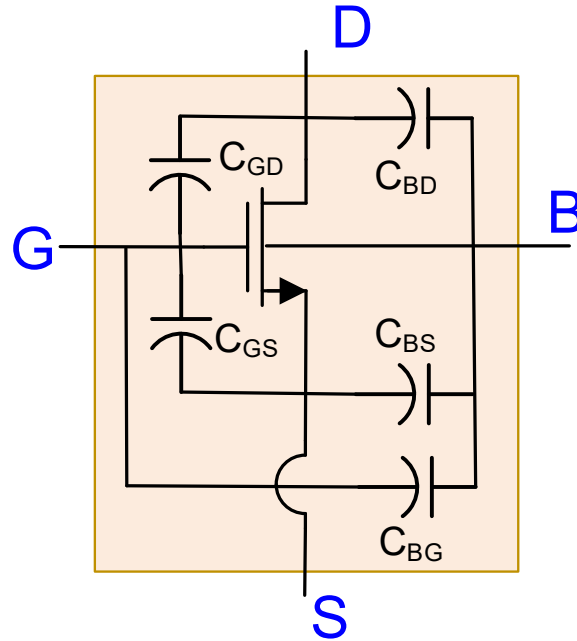
- $2/3 C_{OX}WL$ is often attributed to C_{GCH} to account for LD and saturation
- This approximation is reasonable for minimum-length devices but not so good for longer devices

Parasitic Capacitance Summary



	Cutoff	Ohmic	Saturation
C_{GS}	$C_{ox}W_L D$	$0.5C_{ox}WL$	$C_{ox}W_L D + (2/3)C_{ox}WL$
C_{GD}	$C_{ox}W_L D$	$0.5C_{ox}WL$	$C_{ox}W_L D$
C_{BG}	$C_{ox}WL$ (or less)	0	0
C_{BS}	$C_{BOT}A_S + C_{SW}P_S$	$C_{BOT}A_S + C_{SW}P_S + 0.5WLC_{BOTCH}$	$C_{BOT}A_S + C_{SW}P_S + (2/3)WLC_{BOTCH}$
C_{BD}	$C_{BOT}A_D + C_{SW}P_D$	$C_{BOT}A_D + C_{SW}P_D + 0.5WLC_{BOTCH}$	$C_{BOT}A_D + C_{SW}P_D$

Parasitic Capacitance Summary



	Cutoff	Ohmic	Saturation
C_{GS}	$C_{ox}W L_D$	$0.5C_{ox}WL$	$C_{ox}W L_D + (2/3)C_{ox}WL$
C_{GD}	$C_{ox}W L_D$	$0.5C_{ox}WL$	$C_{ox}W L_D$
C_{BG}	$C_{ox}WL$ (or less)	0	0
C_{BS}	$C_{BOT}A_S + C_{SW}P_S$	$C_{BOT}A_S + C_{SW}P_S + 0.5WLC_{BOTCH}$	$C_{BOT}A_S + C_{SW}P_S + (2/3)WLC_{BOTCH}$
C_{BD}	$C_{BOT}A_D + C_{SW}P_D$	$C_{BOT}A_D + C_{SW}P_D + 0.5WLC_{BOTCH}$	$C_{BOT}A_D + C_{SW}P_D$



Stay Safe and Stay Healthy !

End of Lecture 36