

EE 330

Lecture 40

Digital Circuits

- The Reference Inverter
- Propagation Delay – basic characterization
- Device Sizing (Inverter and multiple-input gates)
- Propagation Delay with Multiple Levels of Logic

Exam Schedule

Final

Wed May 11 7:30 a.m.

Photo courtesy of the director of the National Institute of Health (NIH)

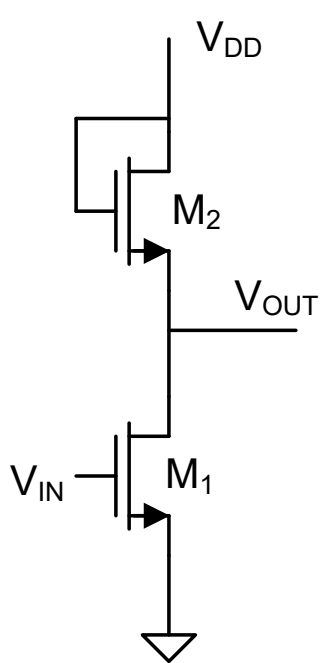


As a courtesy to fellow classmates, TAs, and the instructor

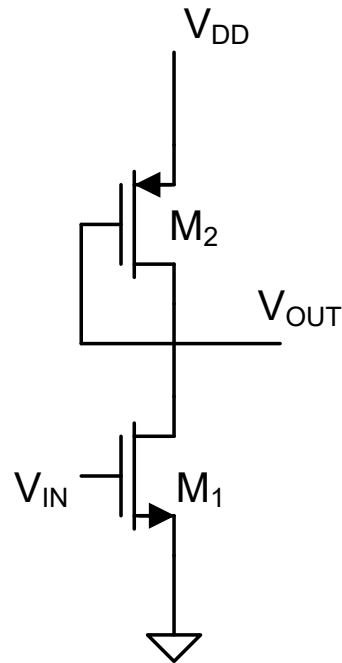
Wearing of masks during lectures and in the laboratories for this course would be appreciated irrespective of vaccination status

Review from last lecture

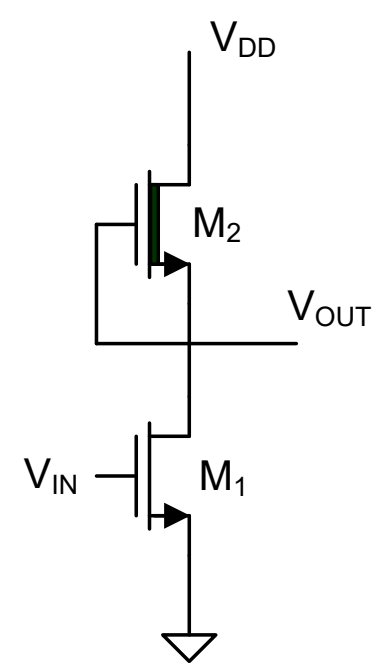
Other MOS Logic Families



Enhancement
Load NMOS

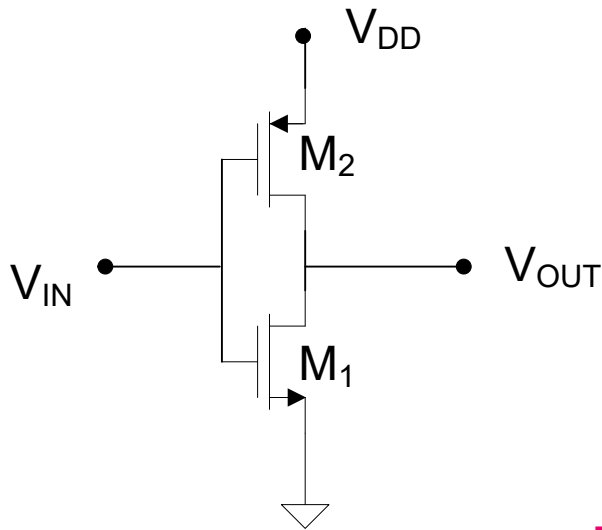


Enhancement Load
Pseudo-NMOS



Depletion
Load NMOS

Static Power Dissipation in Static CMOS Family

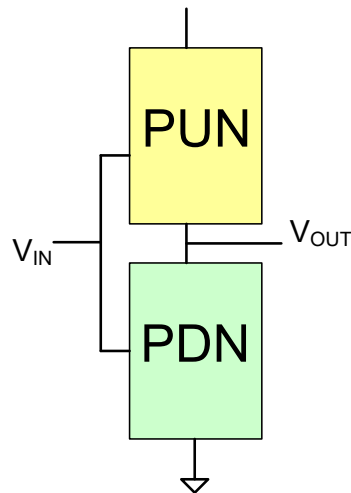


When V_{OUT} is Low, $I_{D1}=0$

When V_{OUT} is High, $I_{D2}=0$

Thus, $P_{STATIC}=0$

This is a key property of the static CMOS Logic Family and is the major reason Static CMOS Logic is so dominant



It can be shown that this zero static power dissipation property can be preserved if the PUN is comprised of p-channel devices, the PDN is comprised of n-channel devices and they are never both driven into the conducting states at the same time

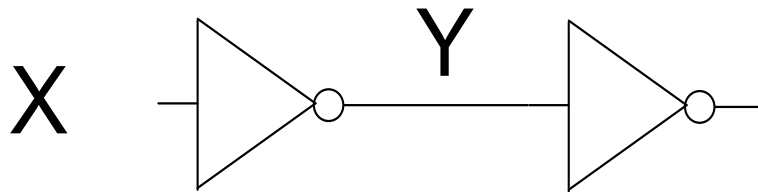
Propagation Delay in Static CMOS Family

Defn: The Propagation Delay of a gate is defined to be the sum of t_{HL} and t_{LH} , that is, $t_{PROP} = t_{HL} + t_{LH}$

$$t_{PROP} = t_{HL} + t_{LH} \cong C_L (R_{PU} + R_{PD})$$

Propagation delay represents a fundamental limit on the speed a gate can be clocked

For basic two-inverter cascade in static CMOS logic



In typical process with **minimum-sized M_1 and M_2** :

$$t_{PROP} = t_{HL} + t_{LH} \cong 20p \text{ sec}$$

Digital Circuit Design

- Hierarchical Design
 - Basic Logic Gates
 - Properties of Logic Families
 - Characterization of CMOS Inverter
 - Static CMOS Logic Gates
 - Ratio Logic
 - Propagation Delay
 - Simple analytical models
 - FI/OD
 - Logical Effort
 - Elmore Delay
 - Sizing of Gates
 - The Reference Inverter
- Propagation Delay with Multiple Levels of Logic
 - Optimal driving of Large Capacitive Loads
 - • Power Dissipation in Logic Circuits
 - Other Logic Styles
 - Array Logic
 - Ring Oscillators

→ **done**

→ **partial**

Observation:

$$|V_{T_p}| \approx V_{T_n} \approx V_{DD}/5 \text{ in many processes}$$

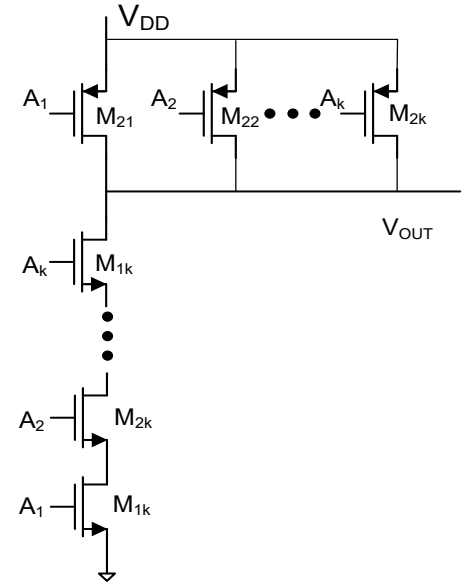
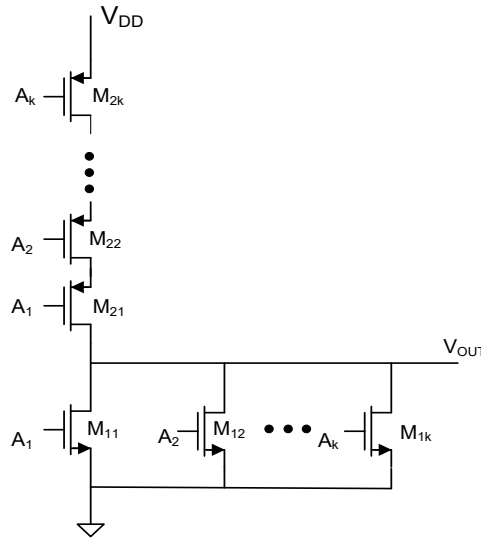
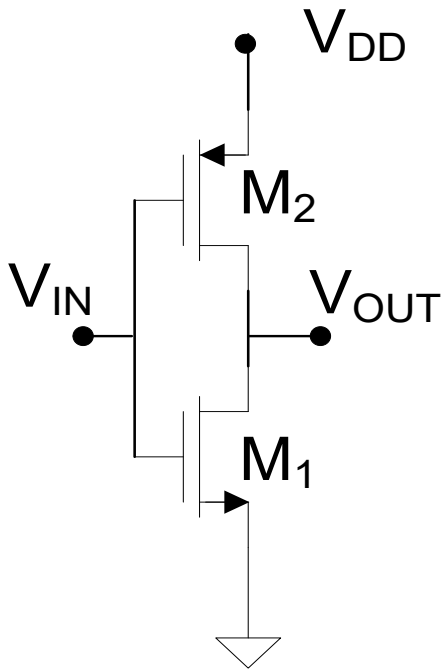
Question:



Why is $|V_{T_p}| \approx V_{T_n} \approx V_{DD}/5$ in many processes ?



Device Sizing

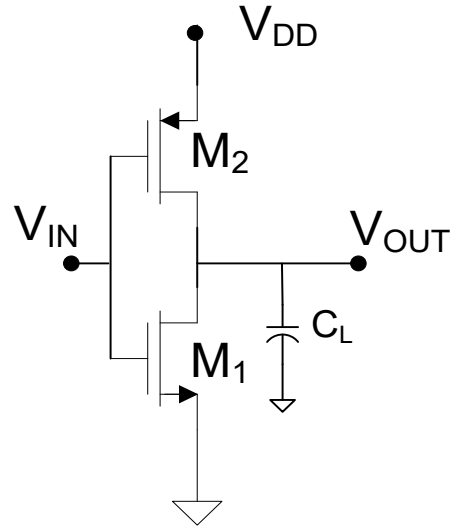


Strategies?

Degrees of Freedom?

Will consider the inverter first

Device Sizing

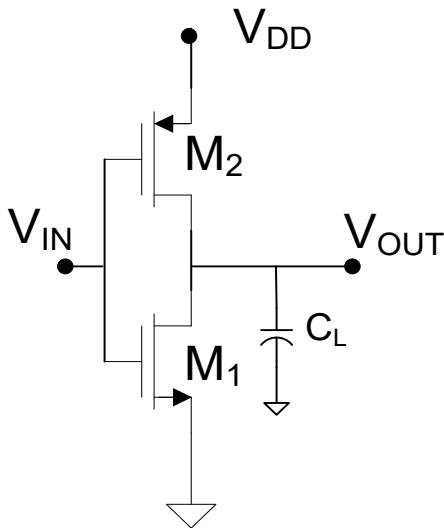


Degrees of Freedom?

Strategies?

Device Sizing

- Since not ratio logic, V_H and V_L are independent of device sizes for this inverter
- With $L_1=L_2=L_{\min}$, there are 2 degrees of freedom (W_1 and W_2)



Sizing Strategies

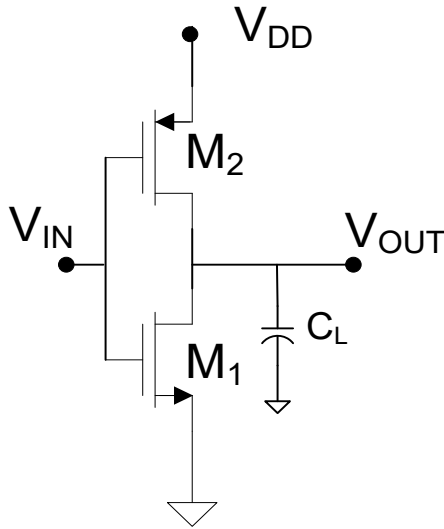
- **Minimum Size**
- **Fixed V_{TRIP}**
- **Equal rise-fall times**
(equal worst-case rise and fall times)
- **Minimum power dissipation**
- **Minimum time required to drive a given load**
- **Minimum input capacitance**

Device Sizing

Assume $V_{Tn}=0.2V_{DD}$, $V_{Tp}=-0.2V_{DD}$, $\mu_n/\mu_p=3$, $L_1=L_2=L_{min}$

Sizing Strategy: minimum sized

$W_n=?$, $W_p=?$, $V_{trip}=?$, $t_{HL}=?$, $t_{LH}=?$



$$R_{PD} = \frac{L_1}{\mu_n C_{OX} W_1 (V_{DD} - V_{Tn})}$$

$$R_{PU} = \frac{L_2}{\mu_p C_{OX} W_2 (V_{DD} + V_{Tp})}$$

$$C_{IN} = C_{OX} (W_1 L_1 + W_2 L_2)$$

Device Sizing

Assume $V_{Tn} = 0.2V_{DD}$, $V_{Tp} = -0.2V_{DD}$, $\mu_n/\mu_p = 3$, $L_1 = L_2 = L_{min}$

Sizing Strategy: minimum sized

$W_n = ?$, $W_p = ?$, $V_{trip} = ?$, $t_{HL} = ?$, $t_{LH} = ?$

$$W_1 = W_2 = W_{MIN}$$

also provides minimum input capacitance

It follows that $R_{PU} = \mu_n/\mu_p R_{PD}$

$$t_{HL} = R_{PD} C_L$$

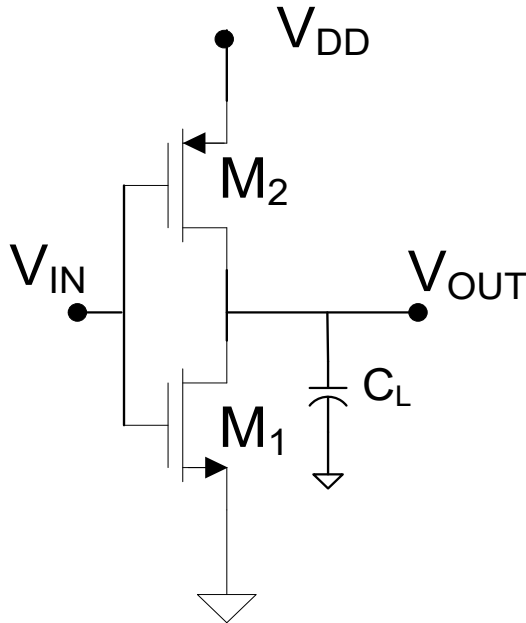
$$t_{LH} = 3 R_{PD} C_L$$

t_{LH} is longer than t_{HL}

$$t_{PROP} = 4 R_{PD} C_L$$

$$V_{TRIP} = \frac{(V_{Tn}) + (V_{DD} + V_{Tp}) \sqrt{\frac{\mu_p W_2 L_1}{\mu_n W_1 L_2}}}{1 + \sqrt{\frac{\mu_p W_2 L_1}{\mu_n W_1 L_2}}}$$

$$V_{TRIP} = \frac{(0.2V_{DD}) + (V_{DD} - 0.2V_{DD}) \sqrt{\frac{1}{3}}}{1 + \sqrt{\frac{1}{3}}} = .42V_{DD}$$

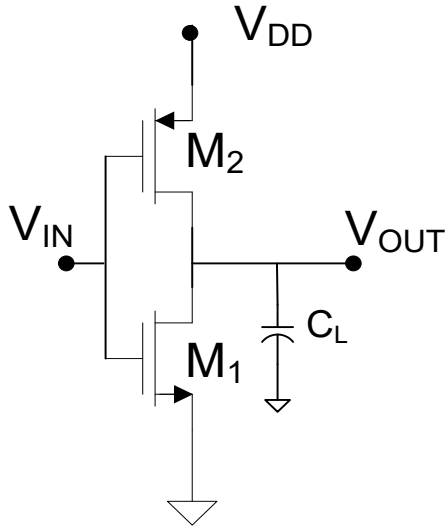


Device Sizing

Assume $V_{Tn}=0.2V_{DD}$, $V_{Tp}=-0.2V_{DD}$, $\mu_n/\mu_p=3$, $L_1=L_2=L_{min}$

Sizing strategy: Equal (worst case) rise and fall times

$W_n=?$, $W_p=?$, $V_{trip}=?$, $t_{HL}=?$, $t_{LH}=?$



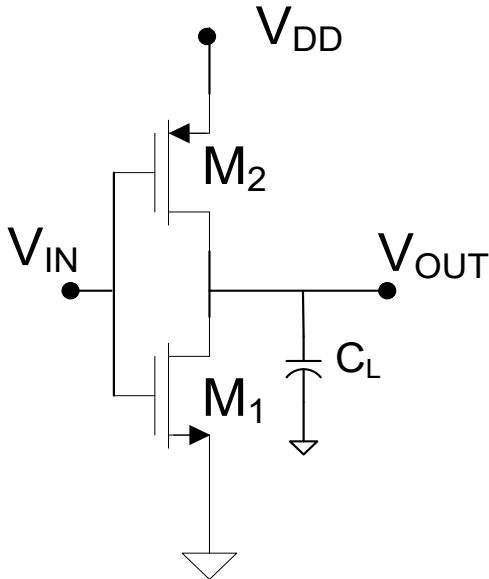
$$R_{PD} = \frac{L_{min}}{\mu_n C_{OX} W_1 (0.8V_{DD})}$$

$$R_{PU} = \frac{L_{min}}{3\mu_n C_{OX} W_2 (0.8V_{DD})}$$

Device Sizing

Assume $V_{Tn}=0.2V_{DD}$, $V_{Tp}=-0.2V_{DD}$, $\mu_n/\mu_p=3$, $L_1=L_2=L_{min}$

Sizing strategy: Equal (worst case) rise and fall times



$$\frac{t_{LH}}{t_{HL}} = 1 = \frac{R_{PU} C_{IN}}{R_{PD} C_{IN}} \Rightarrow R_{PU} = R_{PD}$$

Thus

$$\frac{L_1}{u_n C_{OX} W_1 (V_{DD} - V_{Tn})} = \frac{L_2}{u_p C_{OX} W_2 (V_{DD} + V_{Tp})}$$

with $L_1=L_2$ and $V_{Tp}=-V_{Tn}$ we must have

$$\frac{W_2}{W_1} = \frac{\mu_n}{\mu_p} \approx 3$$

What about the second degree of freedom?

$$W_1 = W_{MIN} \quad (\text{could be something else})$$

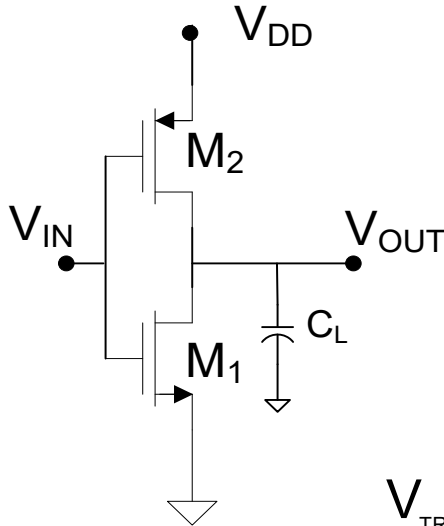
$$V_{TRIP} = ?$$

Device Sizing

Assume $V_{Tn}=0.2V_{DD}$, $V_{Tp}=-0.2V_{DD}$, $\mu_n/\mu_p=3$, $L_1=L_2=L_{min}$

Sizing strategy: Equal (worst-case) rise and fall times

$W_n=W_{MIN}, W_p=3W_{MIN}, V_{trip}=?, t_{HL}=?, t_{LH}=?$



$$V_{TRIP} = \frac{(V_{Tn}) + (V_{DD} + V_{Tp}) \sqrt{\frac{\mu_p W_2 L_1}{\mu_n W_1 L_2}}}{1 + \sqrt{\frac{\mu_p W_2 L_1}{\mu_n W_1 L_2}}} = \frac{0.2V_{DD} + 0.8V_{DD}}{2} = \frac{V_{DD}}{2}$$

$$t_{HL} = t_{LH} = R_{pd} C_L = \frac{L_{min}}{\mu_n C_{OX} W_{min} (0.8V_{DD})} C_L$$

$$t_{PROP} = 2 R_{pd} C_L$$

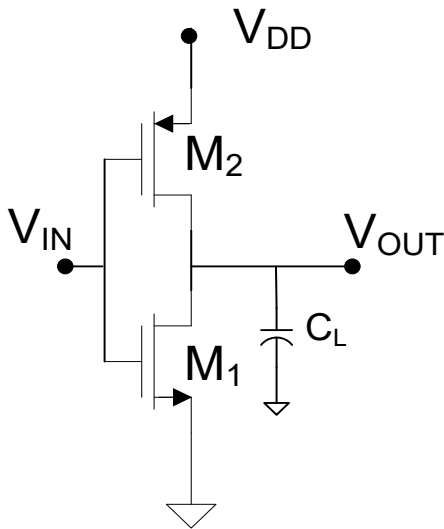
For a fixed C_L , how does t_{prop} compare for the minimum-sizing compared to equal rise/fall sizing?

Device Sizing

Assume $V_{Tn}=0.2V_{DD}$, $V_{Tp}=-0.2V_{DD}$, $\mu_n/\mu_p=3$, $L_1=L_2=L_{min}$

Sizing strategy: Fixed $V_{TRIP} = V_{DD}/2$ (Could have other V_{TRIP})

$W_n=?$, $W_p=?$, $V_{trip}=?$, $t_{HL}=?$, $t_{LH}=?$

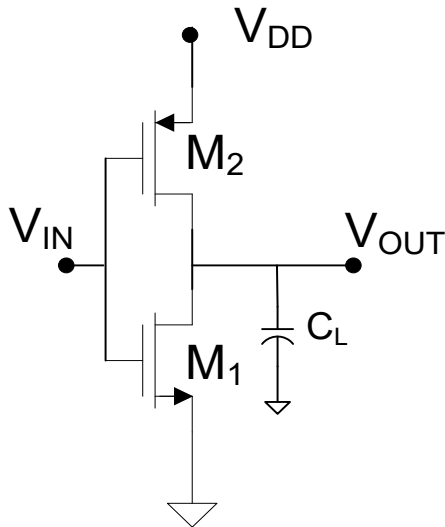


Device Sizing

Assume $V_{Tn}=0.2V_{DD}$, $V_{Tp}=-0.2V_{DD}$, $\mu_n/\mu_p=3$, $L_1=L_2=L_{min}$

Sizing strategy: Fixed $V_{TRIP}=V_{DD}/2$

$W_n=?$, $W_p=?$, $V_{trip}=?$, $t_{HL}=?$, $t_{LH}=?$



Set

$$V_{TRIP}=V_{DD}/2$$

$$V_{TRIP} = \frac{(.2V_{DD}) + (V_{DD} - .2V_{DD}) \sqrt{\frac{\mu_p W_2 L_1}{\mu_n W_1 L_2}}}{1 + \sqrt{\frac{\mu_p W_2 L_1}{\mu_n W_1 L_2}}} = \frac{V_{DD}}{2}$$

Solving, obtain

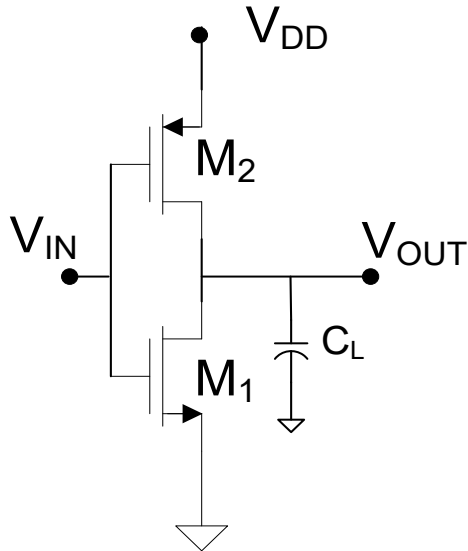
$$\frac{W_2}{W_1} = \frac{\mu_n}{\mu_p}$$

$$W_n=W_{MIN}, \quad W_p=3W_{MIN}$$

- This is the same sizing as was obtained for equal worst-case rise and fall times so $t_{HL}=t_{LH}=R_{pd}C_L$
- This is no coincidence !!! Why?
- These properties guide the definition of the process parameters provided by the foundry

Device Sizing

Assume $V_{Tn}=0.2V_{DD}$, $V_{Tp}=-0.2V_{DD}$, $\mu_n/\mu_p=3$, $L_1=L_2=L_{min}$



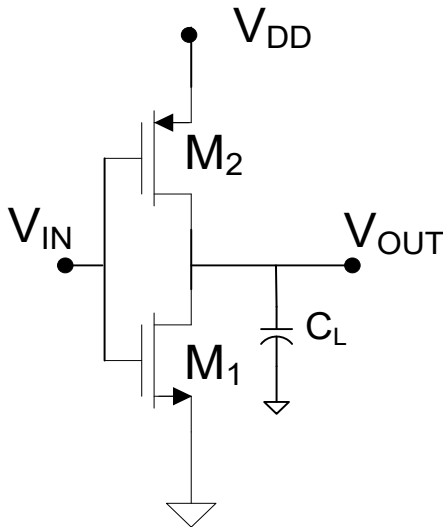
Sizing Strategies

- **Minimum Size**
- **Fixed V_{TRIP} ($V_{TRIP}=V_{DD}/2$)**
- **Equal rise-fall times (equal worst-case rise and fall times)**
- **Minimum power dissipation**
- **Minimum time required to drive a given load**
- **Minimum input capacitance**

Device Sizing

Assume $V_{Tn}=0.2V_{DD}$, $V_{Tp}=-0.2V_{DD}$, $\mu_n/\mu_p=3$, $L_1=L_2=L_{min}$

Sizing Strategy Summary



	Minimum Size	$V_{TRIP}=V_{DD}/2$	Equal Rise/Fall
Size	$W_n=W_p=W_{min}$ $L_p=L_n=L_{min}$	$W_n=W_{min}$ $W_p=3W_{min}$ $L_p=L_n=L_{min}$	$W_n=W_{min}$ $W_p=3W_{min}$ $L_p=L_n=L_{min}$
t_{HL}	$R_{pd}C_L$	$R_{pd}C_L$	$R_{pd}C_L$
t_{LH}	$3R_{pd}C_L$	$R_{pd}C_L$	$R_{pd}C_L$
t_{PROP}	$4R_{pd}C_L$	$2R_{pd}C_L$	$2R_{pd}C_L$
V_{trip}	$V_{TRIP}=0.42V_{DD}$	$V_{TRIP}=0.5V_{DD}$	$V_{TRIP}=0.5V_{DD}$

- For a fixed load C_L , the minimum-sized structure has a higher t_{PROP} but if the load is another inverter, C_L will also change so the speed improvements become less apparent
- This will be investigated later

Question:

?

?

?

?

?

Why is $|V_{Tp}| \approx V_{Tn} \approx V_{DD}/5$ in many processes ?

?

?

?

?

Digital Circuit Design

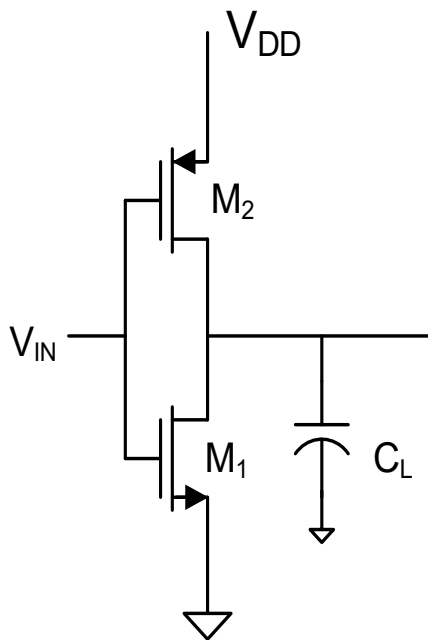
- Hierarchical Design
- Basic Logic Gates
- Properties of Logic Families
- Characterization of CMOS Inverter
- Static CMOS Logic Gates
 - Ratio Logic
- Propagation Delay
 - Simple analytical models
 - FI/OD
 - Logical Effort
 - Elmore Delay
- Sizing of Gates
- The Reference Inverter

- Propagation Delay with Multiple Levels of Logic
- Optimal driving of Large Capacitive Loads
- • Power Dissipation in Logic Circuits
- Other Logic Styles
- Array Logic
- Ring Oscillators

→ **done**

→ **partial**

Reference Inverter



The reference inverter

$$W_n = W_{\text{MIN}}$$

$$W_p = \frac{\mu_n}{\mu_p} W_n$$

$$L_n = L_p$$

$$C_{\text{REF}} \stackrel{\text{def}}{=} C_{\text{INREF}} = C_{\text{OX}} W_n L_n + C_{\text{OX}} W_p L_p$$

V_{OUT}

$$R_{\text{PDREF}} = \frac{L_{\text{MIN}}}{\mu_n C_{\text{OX}} W_{\text{MIN}} (V_{\text{DD}} - V_{\text{Tn}})} \stackrel{V_{\text{Tn}} = .2V_{\text{DD}}}{=} \frac{L_{\text{MIN}}}{\mu_n C_{\text{OX}} W_{\text{MIN}} (0.8V_{\text{DD}})}$$

$$R_{\text{PUREF}} = \frac{L_{\text{MIN}}}{\mu_p C_{\text{OX}} 3W_{\text{MIN}} (V_{\text{DD}} + V_{\text{Tp}})} \stackrel{V_{\text{Tp}} = -.2V_{\text{DD}}}{=} R_{\text{PDREF}}$$

$$t_{\text{HLREF}} = t_{\text{LHREF}} = R_{\text{PDREF}} C_L$$

Assume:

$$\mu_n / \mu_p = 3$$

$$L_n = L_p = L_{\text{MIN}}$$

$$W_n = W_{\text{MIN}}$$

$$W_n = W_{\text{MIN}}$$

$$W_p = 3W_{\text{MIN}}$$

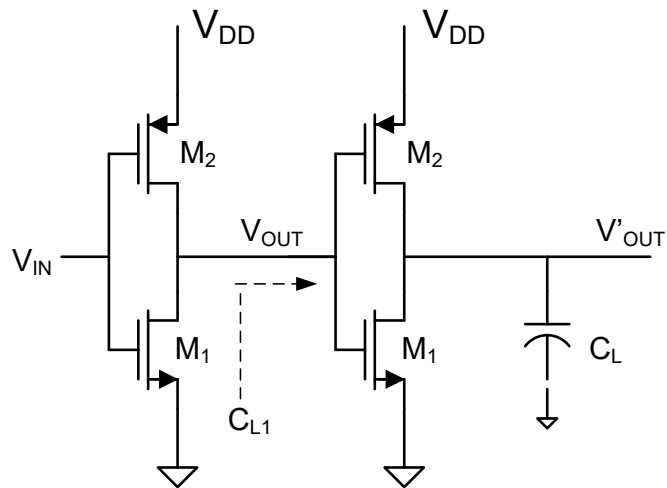
$$L_n = L_p = L_{\text{MIN}}$$

$$C_{\text{REF}} = 4C_{\text{OX}} W_{\text{MIN}} L_{\text{MIN}}$$

- Have sized the reference inverter with $L_n = L_p = L_{\text{MIN}}$, $W_n = W_{\text{MIN}}$, $W_p / W_n = \mu_n / \mu_p$
- In standard processes, provides $V_{\text{TRIP}} \approx V_{\text{DD}} / 2$ and $t_{\text{HL}} \approx t_{\text{LH}}$
- Any other sizing strategy could have been used for the reference inverter but this is most convenient

Reference Inverter

The reference inverter pair



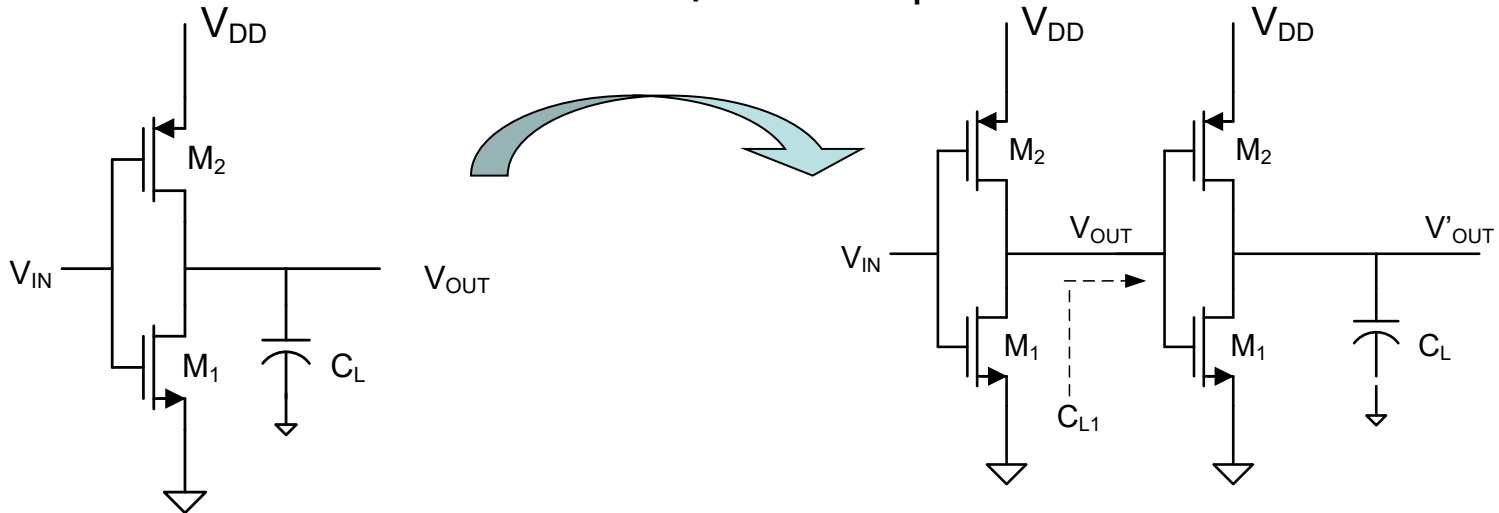
$$\begin{aligned} \mu_n/\mu_p &= 3 \\ L_n &= L_p = L_{\text{MIN}} \\ W_n &= W_{\text{MIN}} \\ W_p &= 3W_n \end{aligned}$$

$$C_{L1} = C_{\text{REF}} = 4C_{\text{OX}} W_{\text{MIN}} L_{\text{MIN}}$$

$$t_{\text{REF def}} = t_{\text{PROPREF}} = t_{\text{HLREF}} + t_{\text{LHREF}} = 2R_{\text{PDREF}} C_{\text{REF}}$$

Reference Inverter

The reference inverter pair $\mu_n/\mu_p=3$ $W_n=W_{\text{MIN}}$
 $L_n=L_p=L_{\text{MIN}}$ $W_p=3W_n$



Summary: parameters defined from reference inverter:

$$C_{\text{REF}} = 4C_{\text{OX}} W_{\text{MIN}} L_{\text{MIN}}$$

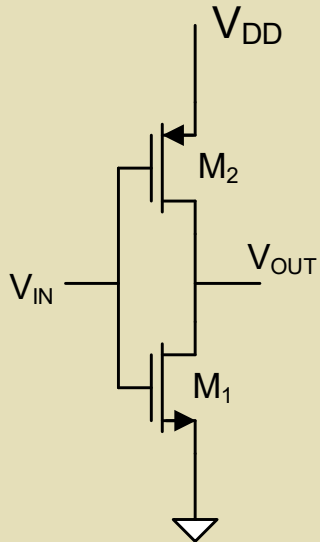
$$R_{\text{PDREF}} = \frac{L_{\text{MIN}}}{\mu_n C_{\text{OX}} W_{\text{MIN}} (V_{\text{DD}} - V_{\text{Tn}})}$$

$$C_{\text{REF}} = 4C_{\text{OX}} W_{\text{MIN}} L_{\text{MIN}}$$

$$t_{\text{PROP}} = t_{\text{REF}} = 2R_{\text{PDREF}} C_{\text{REF}}$$

The Reference Inverter

Reference Inverter



Assume $\mu_n/\mu_p=3$

$W_n=W_{MIN}$, $W_p=3W_{MIN}$

$L_n=L_p=L_{MIN}$

In 0.5u proc $t_{REF}=20ps$,

$C_{REF}=4fF$, $R_{PDREF}=R_{PUREF}=2.5K$

$$R_{PDREF} = R_{PUREF}$$

$$R_{PDREF} = \frac{L_{MIN}}{\mu_n C_{OX} W_{MIN} (V_{DD} - V_{Tn})} \stackrel{V_{Tn}=.2V_{DD}}{=} \frac{L_{MIN}}{\mu_n C_{OX} W_{MIN} (0.8V_{DD})}$$

$$C_{REF} = C_{IN} = 4C_{OX} W_{MIN} L_{MIN}$$

$$t_{HLREF} = t_{LHREF} = R_{PDREF} C_{REF}$$

$$t_{PROP} = t_{REF}$$

$$t_{REF} = t_{HLREF} + t_{LHREF} = 2R_{PDREF} C_{REF}$$

(Note: This C_{OX} is somewhat larger than that in the 0.5u ON process)

(Note: The reference inverter would have device dimensions of M_2 set so that $t_{HL}=t_{LH}$ if mobility ratio is different than 3.

This would change the value of C_{REF} .

Digital Circuit Design

- Hierarchical Design
- Basic Logic Gates
- Properties of Logic Families
- Characterization of CMOS Inverter
- Static CMOS Logic Gates
 - Ratio Logic
- Propagation Delay
 - Simple analytical models
 - Elmore Delay
- Sizing of Gates
 - The Reference Inverter

- Propagation Delay with Multiple Levels of Logic
- Optimal driving of Large Capacitive Loads
- • Power Dissipation in Logic Circuits
- Other Logic Styles
- Array Logic
- Ring Oscillators

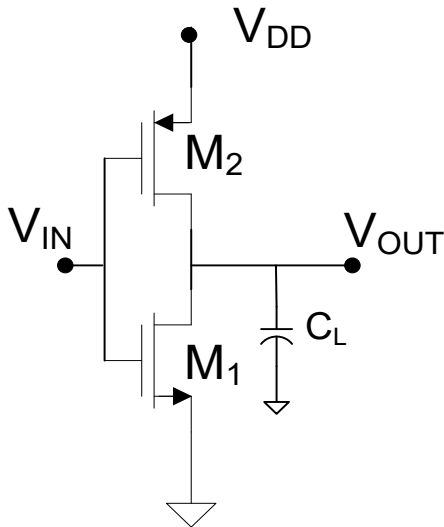
→ **done**

→ **partial**

Recall: Device Sizing

Assume $V_{Tn}=0.2V_{DD}$, $V_{Tp}=-0.2V_{DD}$, $\mu_n/\mu_p=3$, $L_1=L_2=L_{min}$

Sizing Strategy Summary



	Minimum Size	$V_{TRIP}=V_{DD}/2$	Equal Rise/Fall
Size	Are the Equal Rise/Fall and the $V_{TRIP}=V_{DD}/2$ Really Twice as Fast as the Minimum Sizing Strategy?		
t_{HL}	Is this difference significant?		
t_{LH}			
t_{PROP}	$4R_{pd}C_L$	$2R_{pd}C_L$	$2R_{pd}C_L$
V_{trip}	$V_{TRIP}=0.42V_{DD}$	$V_{TRIP}=0.5V_{DD}$	$V_{TRIP}=0.5V_{DD}$

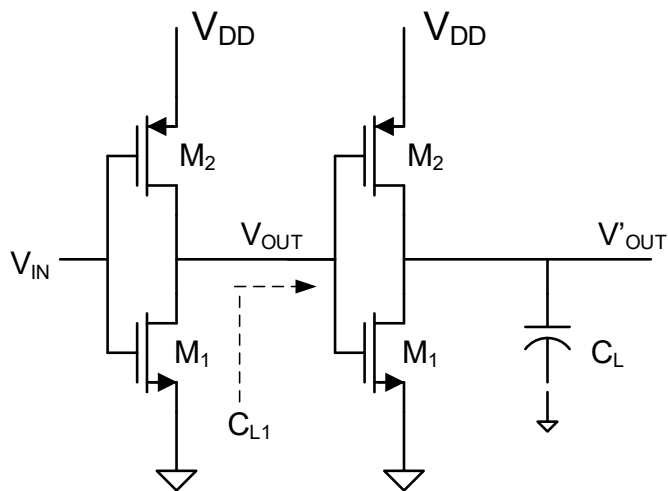
- For a fixed load C_L , the minimum-sized structure has a higher t_{PROP} but if the load is another inverter, C_L will also change so the speed improvements become less apparent
- ➔ This will be investigated later

Propagation Delay

How does the propagation delay compare for a minimum-sized strategy to that of an equal rise/fall sizing strategy?

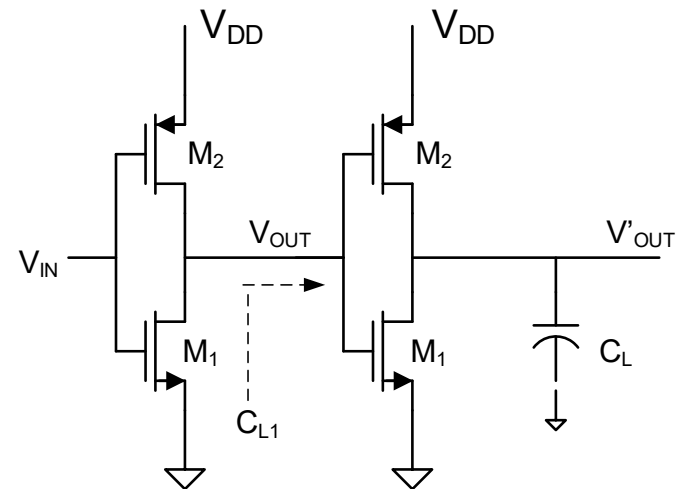
What loading condition should be considered when addressing this question?

- Fixed load C_L ?
- Driving identical device?
- Does it make any difference?



Minimum Sized

$$W_2 = W_1 = W_{\text{MIN}}$$



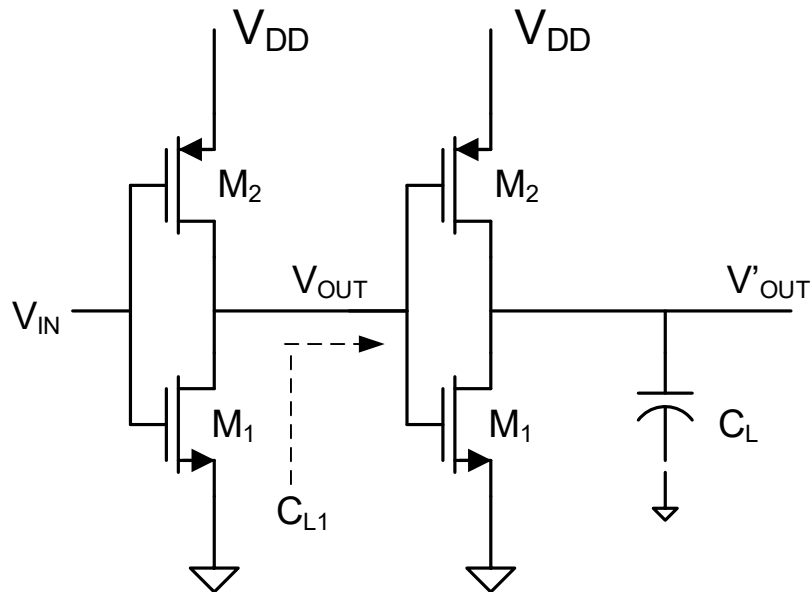
**Reference Inverter
(equal rise/fall)**

$$W_2 = (\mu_n / \mu_p) W_1, \quad W_1 = W_{\text{MIN}}$$

$$t_{\text{PROP}} = t_{\text{REF}}$$

Device Sizing

The minimum-sized inverter pair



Assume $\mu_n/\mu_p=3$

$$L_n=L_p=L_{\text{MIN}}, \quad W_n=W_p=W_{\text{MIN}}$$

Recall:

$$C_{\text{REF}}=4C_{\text{OX}}W_{\text{MIN}}L_{\text{MIN}}$$

$$R_{\text{PDREF}} = \frac{L_{\text{MIN}}}{\mu_n C_{\text{OX}} W_{\text{MIN}} (V_{\text{DD}} - V_{\text{Tm}})}$$

$$t_{\text{PROP_REF}}=2R_{\text{PDREF}}C_{\text{REF}}$$

For minimum-sized inverter pair:

$$C_{L1}=2C_{\text{OX}}W_{\text{MIN}}L_{\text{MIN}}=0.5C_{\text{REF}}$$

$$R_{\text{PD}}=R_{\text{PDREF}}$$

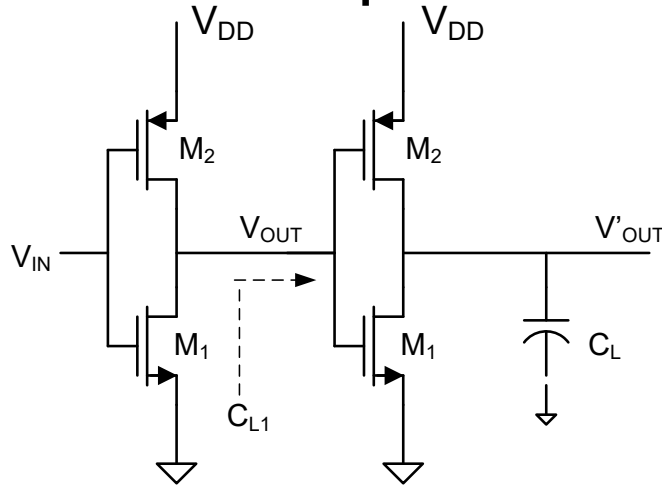
$$R_{\text{PU}}=3R_{\text{PD}}=3R_{\text{PDREF}}$$

$$t_{\text{PROP}}=t_{\text{HL}}+t_{\text{LH}}=C_{L1}(R_{\text{PDREF}}+3R_{\text{PDREF}})=.5C_{\text{REF}}*4R_{\text{PDREF}}=2R_{\text{PDREF}}C_{\text{REF}}$$

$$t_{\text{PROP}} = t_{\text{REF}}$$

Propagation Delay

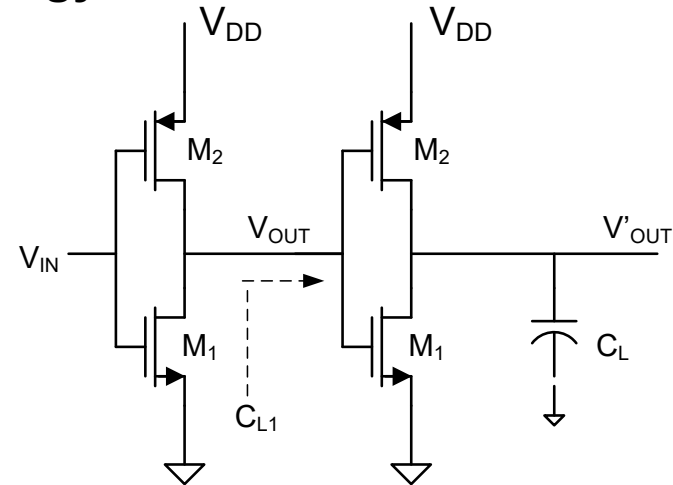
How does the propagation delay compare for a minimum-sized strategy to that of an equal rise/fall sizing strategy?



Minimum Sized

$$W_2 = W_1 = W_{\text{MIN}}$$

$$t_{\text{PROP}} = t_{\text{REF}}$$



**Reference Inverter
(equal rise/fall)**

$$W_2 = (\mu_n / \mu_p) W_1, \quad W_1 = W_{\text{MIN}}$$

$$t_{\text{PROP}} = t_{\text{REF}}$$

They are the same!

Even though the t_{LH} rise time has been reduced with the equal rise/fall sizing strategy, this was done at the expense of an increase in the total load capacitance that resulted in no net change in propagation delay!

Digital Circuit Design

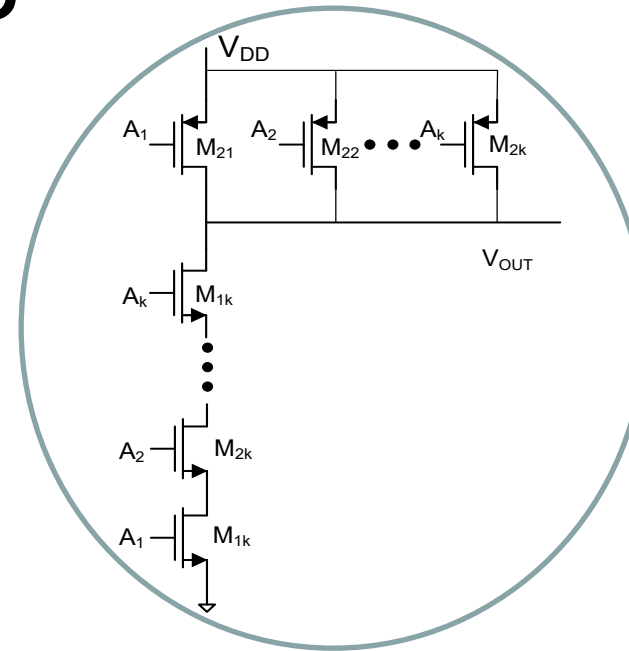
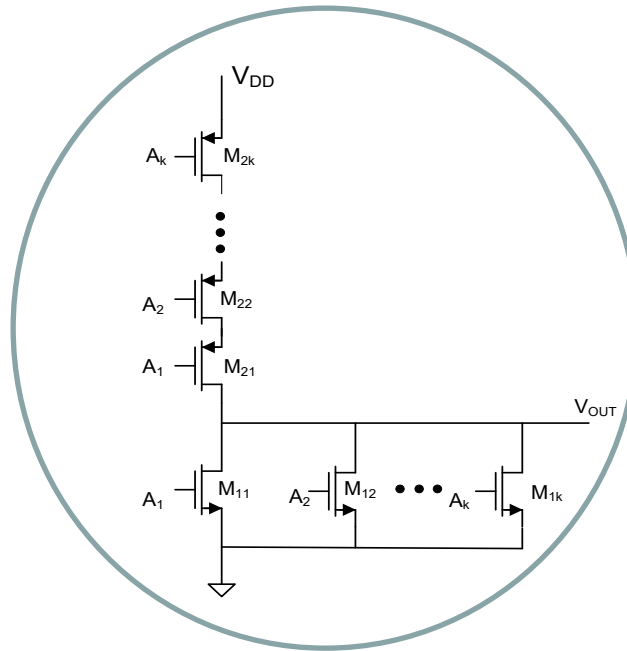
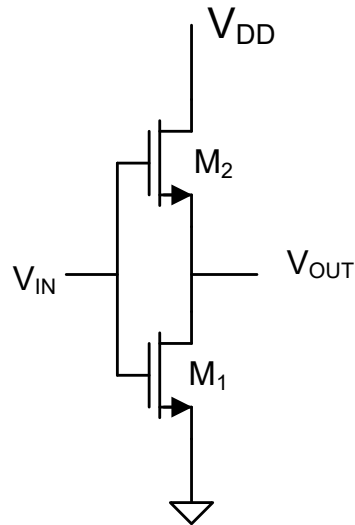
- Hierarchical Design
- Basic Logic Gates
- Properties of Logic Families
- Characterization of CMOS Inverter
- Static CMOS Logic Gates
 - Ratio Logic
- Propagation Delay
 - Simple analytical models
 - FI/OD
 - Logical Effort
 - Elmore Delay
- Sizing of Gates
 - The Reference Inverter

- Propagation Delay with Multiple Levels of Logic
- Optimal driving of Large Capacitive Loads
- • Power Dissipation in Logic Circuits
- Other Logic Styles
- Array Logic
- Ring Oscillators

→ **done**

→ **partial**

Device Sizing



Will consider now the multiple-input gates

Will consider both minimum sizing and equal worst-case rise/fall

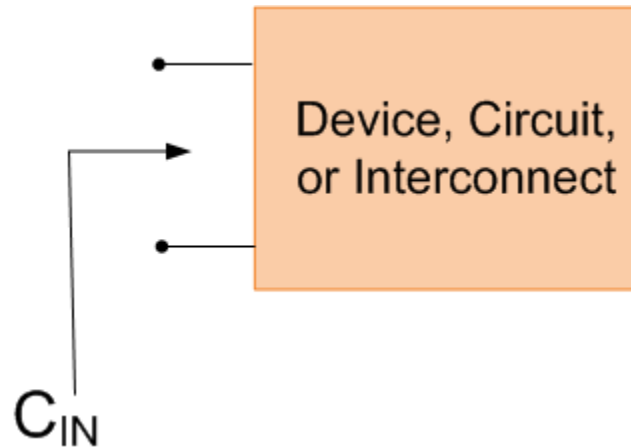
Will assume C_L (not shown) = C_{REF}

Will initially size so gate drive capability is same as that of ref inverter

Note: worst-case has been added since fall time in NOR gates or rise time in NAND gates depends upon how many transistors are conducting

Fan In

- The Fan In (FI) to an input of a gate device, circuit or interconnect that is capacitive is the input capacitance
- Often this is normalized to some capacitance (typically C_{REF} of ref inverter).

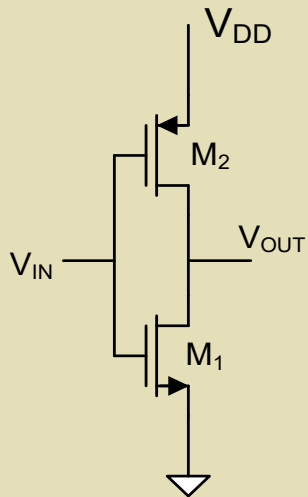


$$FI = C_{IN} \quad \text{alternately} \quad FI = \frac{C_{IN}}{C_{REF}}$$

Sizing of Multiple-Input Gates

Analysis strategy : Express delays in terms of those of reference inverter

Reference Inverter



Assume $\mu_n/\mu_p=3$

$W_n=W_{MIN}$, $W_p=3W_{MIN}$

$L_n=L_p=L_{MIN}$

In 0.5u proc $t_{REF}=20ps$,

$C_{REF}=4fF, R_{PDREF}=2.5K$

$$C_{IN}=C_{REF}=4C_{OX}W_{MIN}L_{MIN}$$

$$F_{IREF}=C_{REF} \quad \text{alternately} \quad F_{IREF}=\frac{C_{IN}}{C_{REF}}=1$$

$$R_{PDREF}=R_{PUREF}=\frac{L_{MIN}}{\mu_n C_{OX}W_{MIN}(0.8V_{DD})}$$

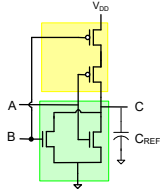
$$t_{HLREF}=t_{LHREF}=R_{PDREF}C_{REF}$$

$$t_{REF}=t_{HLREF}+t_{LHREF}=2R_{PDREF}C_{REF}$$

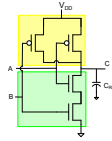
Device Sizing

Multiple Input Gates:

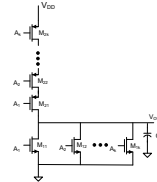
2-input NOR



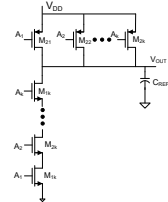
2-input NAND



k-input NOR



k-input NAND



Equal Worst Case Rise/Fall (slowest and equal to that of ref inverter when driving C_{REF})

$$W_n = ?$$

$$W_p = ?$$

Fastest response (t_{HL} or t_{LH}) = ?

Worst case (slowest) response (t_{PROP} , usually of most interest)?

Input capacitance (FI) = ?

Minimum Sized (assume driving a load of C_{REF})

$$W_n = W_{min}$$

$$W_p = W_{min}$$

Fastest response (t_{HL} or t_{LH}) = ?

Slowest response (t_{HL} or t_{LH}) = ?

Worst case response (t_{PROP} , usually of most interest)?

Input capacitance (FI) = ?

Device Sizing

➔ Equal Worst Case Rise/Fall (slowest and equal to that of ref inverter when driving C_{REF})

Multiple Input Gates: 2-input NOR

(n-channel devices sized same, p-channel devices sized the same)

Assume $L_n=L_p=L_{min}$ and driving a load of C_{REF}

$$W_n=?$$

DERIVATIONS

$$W_p=?$$

$$\text{Input capacitance} = ?$$

$$FI=?$$

$$t_{PROP}=? \text{ (worst case)}$$

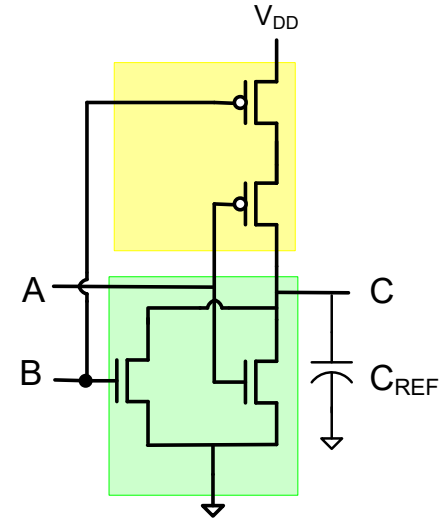
$$W_n=W_{MIN}$$

$$W_p=6W_{MIN}$$

$$C_{INA}=C_{INB}=C_{OX}W_{MIN}L_{MIN}+6C_{OX}W_{MIN}L_{MIN}=7C_{OX}W_{MIN}L_{MIN}=\left(\frac{7}{4}\right)4C_{OX}W_{MIN}L_{MIN}=\left(\frac{7}{4}\right)C_{REF}$$

$$FI=\left(\frac{7}{4}\right)C_{REF} \quad \text{or} \quad FI=\frac{7}{4}$$

$$t_{PROP}=t_{REF} \text{ (worst case)}$$



Device Sizing

Equal Worst Case Rise/Fall

(slowest and equal to that of ref inverter when driving C_{REF})

Multiple Input Gates: 2-input NOR

(n-channel devices sized same, p-channel devices sized the same)

Assume $L_n=L_p=L_{min}$ and driving a load of C_{REF}

$W_n=?$

$W_p=?$

Input capacitance = ?

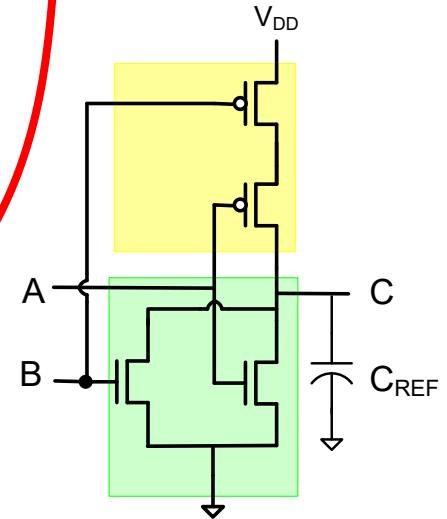
FI=?

$t_{PROP}=?$ (worst case)

$$W_n = W_{MIN}$$

$$W_p = 6W_{MIN}$$

DERIVATIONS



One degree of freedom was used to satisfy the constraint indicated

Other degree of freedom was used to achieve equal rise and fall times

$$C_{INA} = C_{INB} = C_{OX}W_{MIN}L_{MIN} + 6C_{OX}W_{MIN}L_{MIN} = 7C_{OX}W_{MIN}L_{MIN} = \left(\frac{7}{4}\right)4C_{OX}W_{MIN}L_{MIN} = \left(\frac{7}{4}\right)C_{REF}$$

$$FI = \left(\frac{7}{4}\right)C_{REF} \quad \text{or} \quad FI = \frac{7}{4}$$

$$t_{PROP} = t_{REF} \quad \text{(worst case)}$$

Device Sizing

➔ Equal Worst Case Rise/Fall (slowest and equal to that of ref inverter when driving C_{REF})

Multiple Input Gates: k-input NOR

DERIVATIONS

$W_n=?$

$W_p=?$

Input capacitance = ?

FI=?

$t_{PROP}=?$

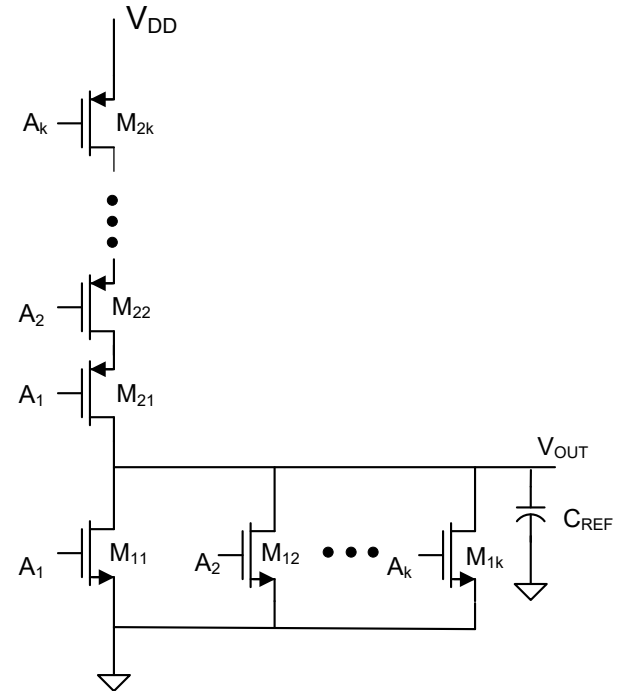
$$W_n = W_{MIN}$$

$$W_p = 3kW_{MIN}$$

$$C_{INx} = C_{OX}W_{MIN}L_{MIN} + 3kC_{OX}W_{MIN}L_{MIN} = (3k+1)C_{OX}W_{MIN}L_{MIN} = \left(\frac{3k+1}{4}\right)4C_{OX}W_{MIN}L_{MIN} = \left(\frac{3k+1}{4}\right)C_{REF}$$

$$FI = \left(\frac{3k+1}{4}\right)C_{REF} \quad \text{or} \quad FI = \frac{3k+1}{4}$$

$$t_{PROP} = t_{REF} \quad (\text{worst case})$$



$$t_{PROP} = t_{REF}$$

Device Sizing

➔ Equal Worst Case Rise/Fall (slowest and equal to that of ref inverter when driving C_{REF})

Multiple Input Gates: 2-input NAND

$W_n=?$

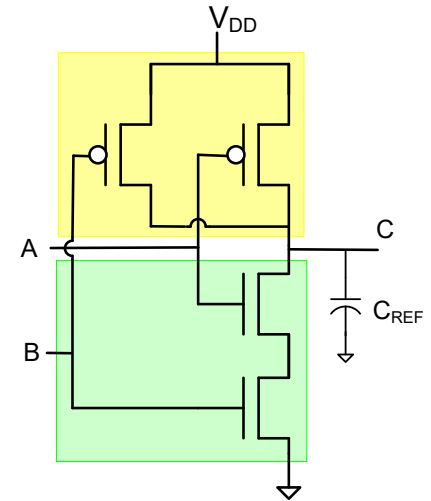
DERIVATIONS

$W_p=?$

Input capacitance = ?

FI=?

$t_{PROP}=?$



$$W_n = 2W_{MIN}$$

$$W_p = 3W_{MIN}$$

$$C_{INA} = C_{INB} = 2C_{OX}W_{MIN}L_{MIN} + 3C_{OX}W_{MIN}L_{MIN} = (5)C_{OX}W_{MIN}L_{MIN} = \left(\frac{5}{4}\right)4C_{OX}W_{MIN}L_{MIN} = \left(\frac{5}{4}\right)C_{REF}$$

$$FI = \left(\frac{5}{4}\right)C_{REF} \quad \text{or} \quad FI = \frac{5}{4}$$

$$t_{PROP} = t_{REF} \quad (\text{worst case})$$

Device Sizing

Equal Worst Case Rise/Fall (slowest and equal to that of ref inverter when driving C_{REF})

Multiple Input Gates: **k-input NAND**

DERIVATIONS

$W_n=?$

$W_p=?$

Input capacitance = ?

FI=?

$t_{PROP}=?$

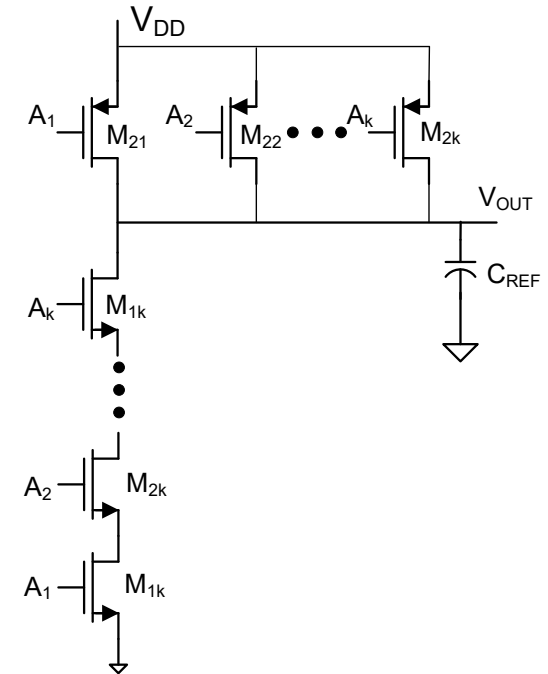
$$W_n = kW_{MIN}$$

$$W_p = 3W_{MIN}$$

$$C_{INx} = kC_{OX}W_{MIN}L_{MIN} + 3C_{OX}W_{MIN}L_{MIN} = (3+k)C_{OX}W_{MIN}L_{MIN} = \left(\frac{3+k}{4}\right)4C_{OX}W_{MIN}L_{MIN} = \left(\frac{3+k}{4}\right)C_{REF}$$

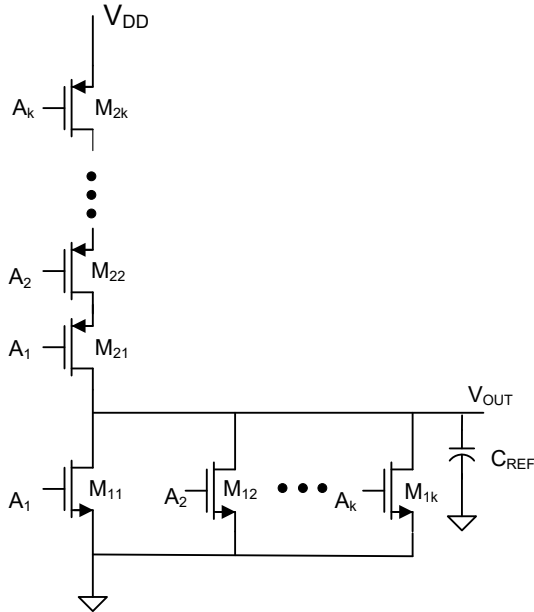
$$FI = \left(\frac{3+k}{4}\right)C_{REF} \quad \text{or} \quad FI = \frac{3+k}{4}$$

$$t_{PROP} = t_{REF} \quad (\text{worst case})$$



Device Sizing

Comparison of NAND and NOR Gates for Equal worst-case rise/fall



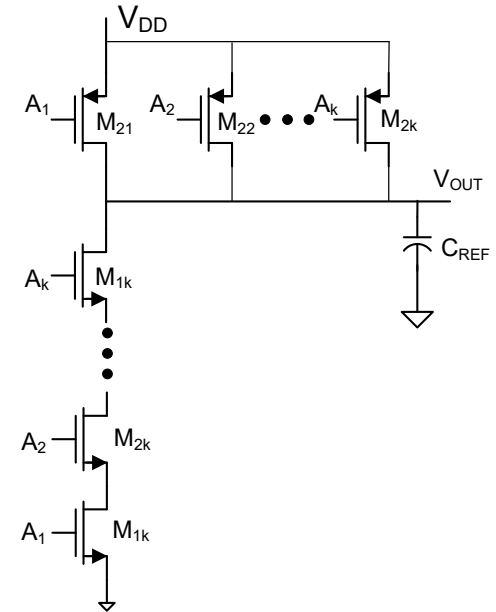
$$W_n = W_{\text{MIN}}$$

$$W_p = 3kW_{\text{MIN}}$$

$$C_{\text{INx}} = \left(\frac{3k+1}{4}\right) C_{\text{REF}}$$

$$f_I = \left(\frac{3k+1}{4}\right) C_{\text{REF}} \quad \text{or} \quad f_I = \frac{3k+1}{4}$$

$$t_{\text{PROP}} = t_{\text{REF}} \quad (\text{worst case})$$



$$W_n = kW_{\text{MIN}}$$

$$W_p = 3W_{\text{MIN}}$$

$$C_{\text{INx}} = \left(\frac{3+k}{4}\right) C_{\text{REF}}$$

$$f_I = \left(\frac{3+k}{4}\right) C_{\text{REF}} \quad \text{or} \quad f_I = \frac{3+k}{4}$$

$$t_{\text{PROP}} = t_{\text{REF}} \quad (\text{worst case})$$

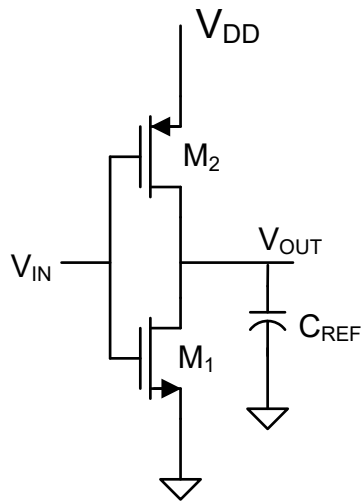
Device Sizing

Equal Worst-Case Rise/Fall Device Sizing Strategy

-- (same as $V_{TRIP} = V_{DD}/2$ for worst case delay in typical process considered in example)

Assume $\mu_n/\mu_p = 3$

$L_n = L_p = L_{MIN}$

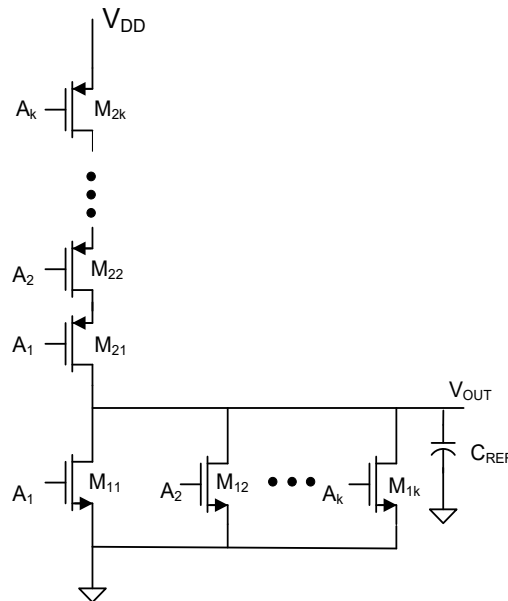


INV

$$W_n = W_{MIN}, \quad W_p = 3W_{MIN}$$

$$C_{IN} = C_{REF}$$

$$FI = 1$$

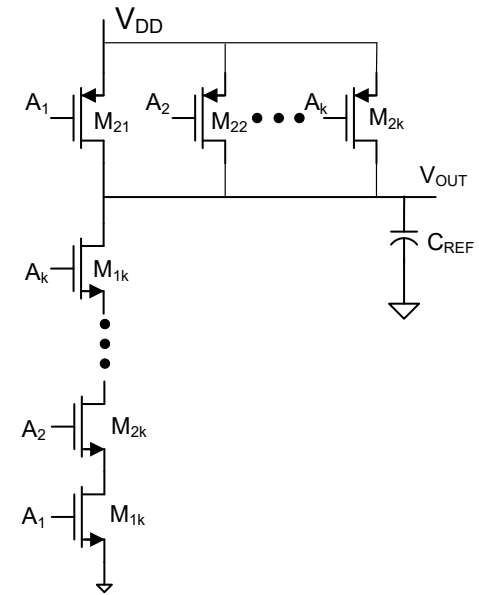


k-input NOR

$$W_n = W_{MIN}, \quad W_p = 3kW_{MIN}$$

$$C_{IN} = \left(\frac{3k+1}{4} \right) C_{REF}$$

$$FI = \left(\frac{3k+1}{4} \right)$$



k-input NAND

$$W_n = kW_{MIN}, \quad W_p = 3W_{MIN}$$

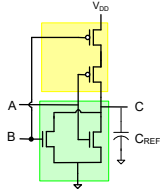
$$C_{IN} = \left(\frac{3+k}{4} \right) C_{REF}$$

$$FI = \left(\frac{3+k}{4} \right)$$

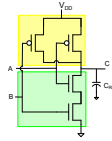
Device Sizing

Multiple Input Gates:

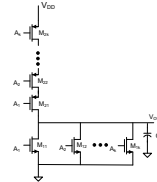
2-input NOR



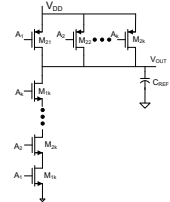
2-input NAND



k-input NOR



k-input NAND



Equal Worst Case Rise/Fall (and equal to that of ref inverter when driving C_{REF})

$W_n = ?$

$W_p = ?$

Fastest response (t_{HL} or t_{LH}) = ?

Worst case response (t_{PROP} , usually of most interest)?

Input capacitance (FI) = ?

Minimum Sized (assume driving a load of C_{REF})

$W_n = W_{min}$

$W_p = W_{min}$

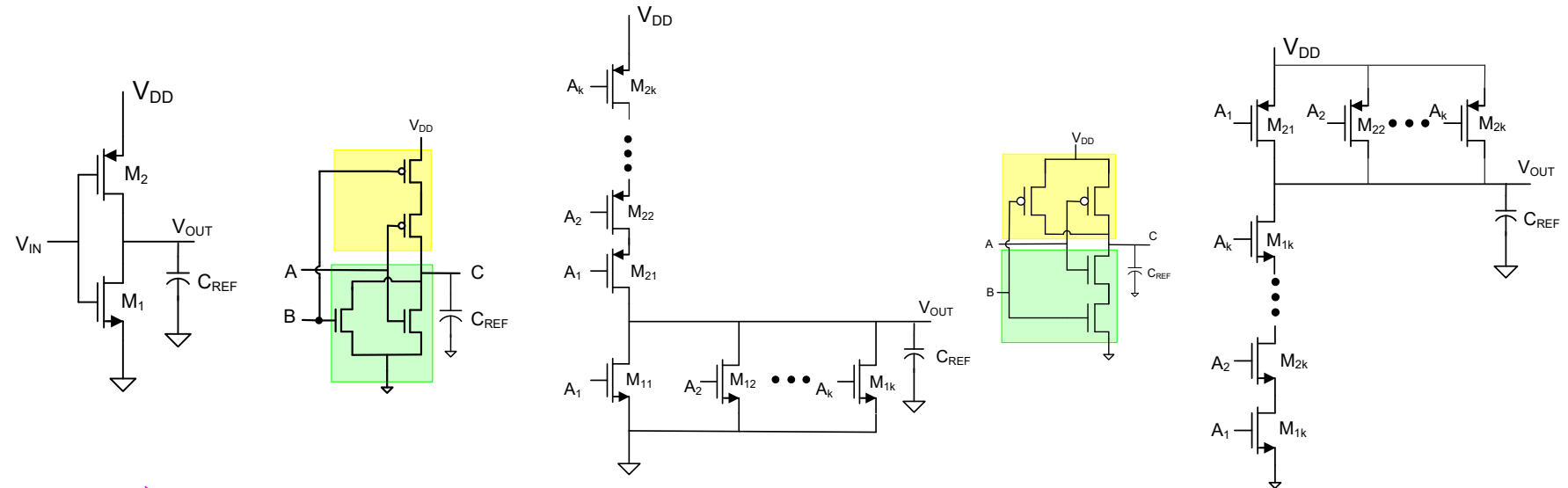
Fastest response (t_{HL} or t_{LH}) = ?

Slowest response (t_{HL} or t_{LH}) = ?

Worst case response (t_{PROP} , usually of most interest)?

Input capacitance (FI) = ?

Device Sizing



Minimum Sized (assume driving a load of C_{REF})

$$W_n = W_{min}$$

$$W_p = W_{min}$$

Input capacitance (FI) = ?

$$C_{IN} = C_{OX}W_nL_n + C_{OX}W_pL_p = C_{OX}W_{min}L_{min} + C_{OX}W_{min}L_{min} = 2C_{OX}W_{min}L_{min} = \frac{C_{REF}}{2}$$

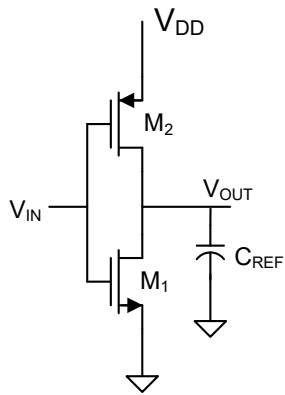
$$FI = \frac{1}{2}$$

Fastest response (t_{HL} or t_{HL}) = ?

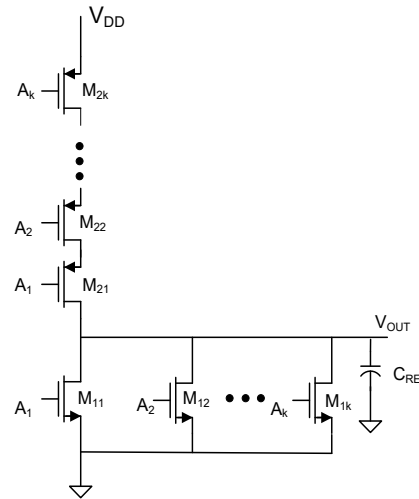
Slowest response (t_{HL} or t_{HL}) = ?

Worst case response (t_{PROP} , usually of most interest)?

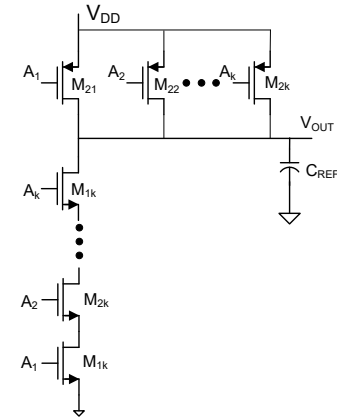
Device Sizing – minimum size driving C_{REF}



INV



k-input NOR



k-input NAND

worst case

$$t_{PROP} = 0.5t_{REF} + \frac{3}{2}t_{REF}$$

$$t_{PROP} = 2t_{REF}$$

$$t_{PROP} = 0.5t_{REF} + \frac{3k}{2}t_{REF}$$

$$t_{PROP} = \left(\frac{3k+1}{2}\right)t_{REF}$$

$$t_{PROP} = \frac{3}{2}t_{REF} + \frac{k}{2}t_{REF}$$

$$t_{PROP} = \frac{3+k}{2}t_{REF}$$

$$FI = \frac{C_{REF}}{2}$$

$$R_{PD} = R_{PDREF}$$

$$R_{PU} = 3R_{PDREF}$$

$$\frac{1+3k^2}{2k}t_{REF} \leq t_{PROP} \leq \frac{3k+1}{2}t_{REF}$$

$$FI = \frac{C_{REF}}{2}$$

$$\frac{R_{PDREF}}{k} \leq R_{PD} \leq R_{PDREF}$$

$$R_{PU} = 3kR_{PDREF}$$

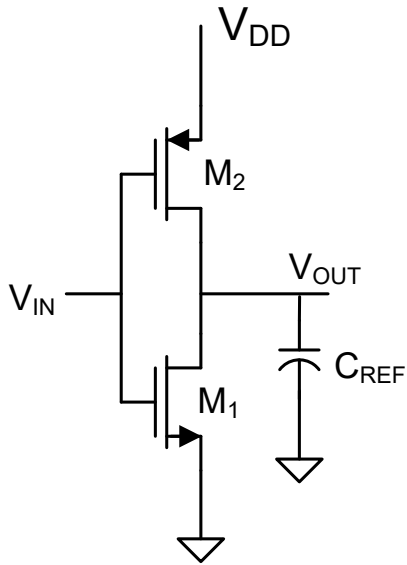
$$\frac{3+k^2}{2k}t_{REF} \leq t_{PROP} \leq \frac{3+k}{2}t_{REF}$$

$$FI = \frac{C_{REF}}{2}$$

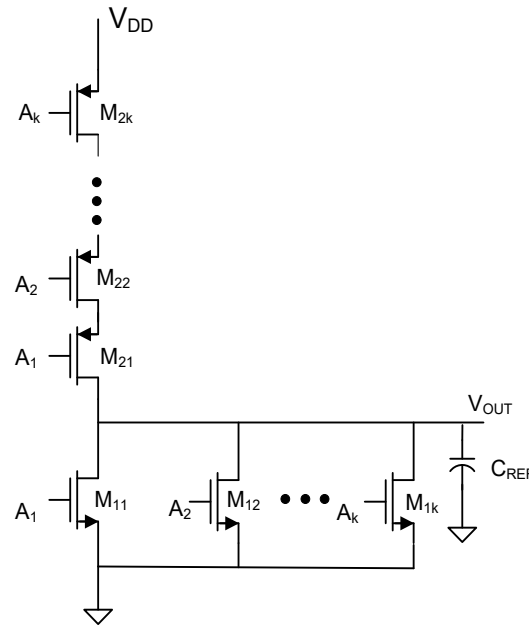
$$\frac{3R_{PDREF}}{k} \leq R_{PU} \leq 3R_{PDREF}$$

$$R_{PD} = kR_{PDREF}$$

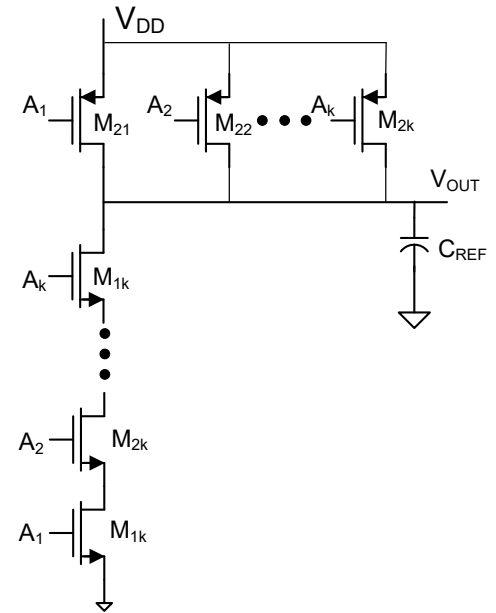
Device Sizing Summary



INV



k-input NOR



k-input NAND

C_{IN} for N_{AND} gates is considerably smaller than for NOR gates for equal worst-case rise and fall times

C_{IN} for minimum-sized structures is independent of number of inputs and much smaller than C_{IN} for the equal rise/fall time case

R_{PU} gets very large for minimum-sized NOR gate



Stay Safe and Stay Healthy !

End of Lecture 40